



INSTRUCTIONS

-J03680

REV. 2008-11-24

DYNA ACCESSORY SEAT KITS

GENERAL

Kit Number

51540-06, 51471-06, 51472-06, 52159-06, 52284-06, 52288-06, 52359-06, and 52378-07

Models

For model fitment information, see the P&A Retail Catalog or the Parts and Accessories section of www.harley-davidson.com (English only).

Additional Parts Required

This kit requires the separate purchase of Bumper Kit 51653-06 and Passenger Footpeg kit 50210-06 and passenger footpegs (purchased separately) if installed on a vehicle originally equipped with a solo seat.

WARNING

Do not install these seat kits on motorcycles that are not equipped with an appropriate grab strap and passenger footpegs. If footpegs and grab strap are not installed, passenger could fall from moving motorcycle or grab onto operator, causing loss of control and death or serious injury. (000410b)

NOTE

A service manual for your model motorcycle is available from a Harley-Davidson Dealer.

Kit Contents

See Figure 4 and Table 1.

INSTALLATION

NOTE

When performing the following installation procedures, avoid scratching painted surfaces (fender, tank, etc.) with tools or metal seat tabs.

For vehicles with 2-up seating

1. Remove the existing seat from motorcycle. Save the mounting screw for installation of the new seat.
2. Remove existing grab strap and all attaching hardware.
3. See Figure 1 for information on which holes to install grab strap through for your seat (use the hole shown dark in the illustration). Install new grab strap onto motorcycle at same location old grab strap was removed (re-use existing hardware). Tighten to 60-90 **in-lbs** (6.78-10.17 Nm).
4. Position new seat on motorcycle. Be sure tongue on front of seat fully engages into the seat mounting slot between the gas tank bracket and frame.
5. Secure seat with stock screw.

-J03680

WARNING

After installing seat, pull upward on seat to be sure it is locked in position. While riding, a loose seat can shift causing loss of control, which could result in death or serious injury. (00070b)

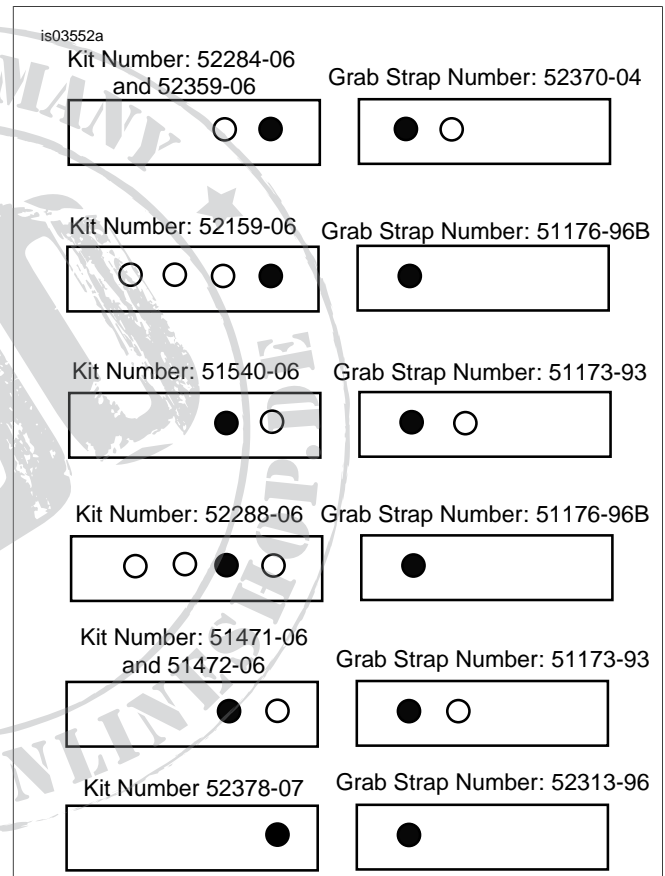


Figure 1. Grab Strap installment information

For vehicles with solo seat

1. Remove the existing seat from the motorcycle. Save the mounting screw for installation of the new seat.
2. See Figure 2. Remove the plastic cap from the rear most fender hole (3).
3. Remove the seat retention nut and washer from the solo seat mounting hole.

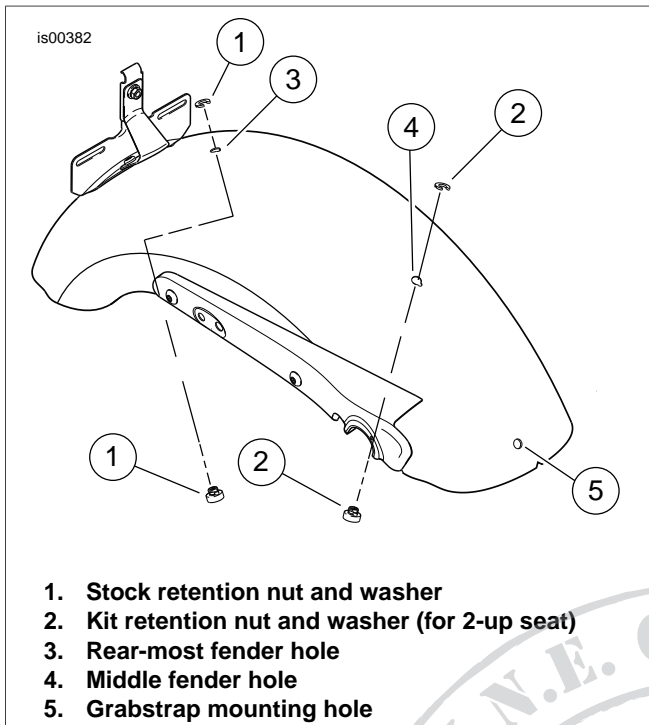


Figure 2. Retention Nut Location

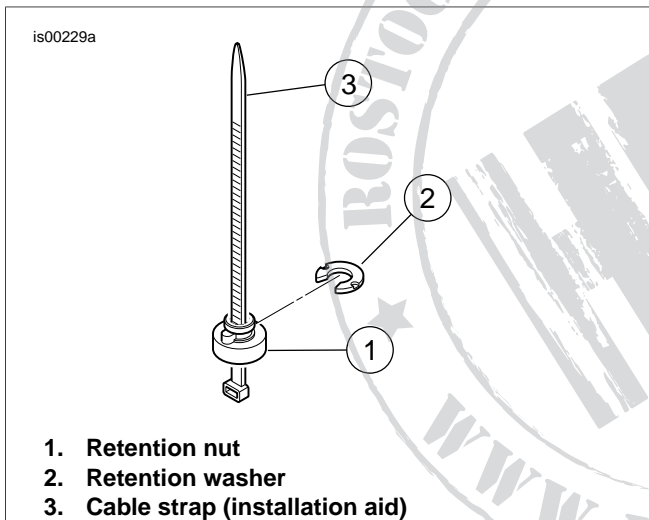


Figure 3. Install Retention Nut

4. See Figure 3. A cable strap may be used as an installation aid to remove and install the retention nut and washer. Place the retention nut (1) over the cable strap (3) so the wide end of the nut rests on the eye of the cable strap. Thread the cable strap up under the fender and through the rearmost fender hole. Pull up on the cable strap to hold the nut snug against the underside of the fender.
5. With the rib on the retention nut seated into the notch in the fender hole, slide the retention washer (2) into place from the rear. This will lock the retention nut in place. Remove the cable strap.
6. Obtain the grab strap, flange screw, seat retention nut, washer, and hex nut from the kit.
7. Install the flange screw from the inside of the fender into the grab strap mounting hole in the fender (Figure 2, Item 5). Secure the screw with the plastic seat retention nut.
8. Install new passenger strap from kit according to the diagram in Figure 1. Install washer and nut and tighten nut to 60-90 in-lbs (6.78-10.17 Nm).

WARNING

After installing seat, pull upward on seat to be sure it is locked in position. While riding, a loose seat can shift causing loss of control, which could result in death or serious injury. (00070b)

SERVICE PARTS

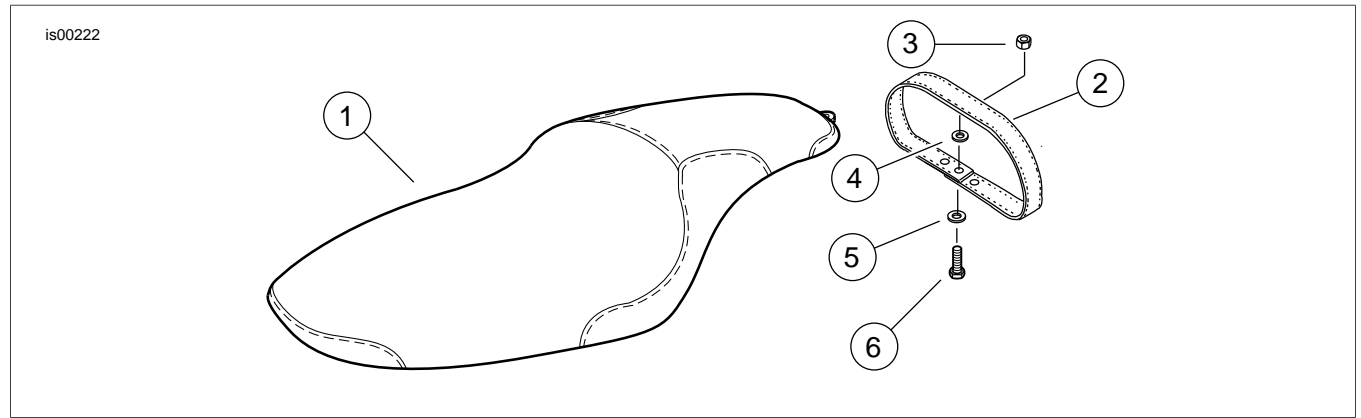


Figure 4. Dyna Accessory Seat Kits

Table 1. Service Parts

Item	Description (Quantity)	Part Number
1	Seat (generic style shown)	Not Sold Separately
2	Grab strap in kit 51471-06	51173-93
	Grab strap in kit 51472-06	51173-93
	Grab strap in kit 51540-06	51173-93
	Grab strap in kit 52159-06	51176-96B
	Grab strap in kit 52284-06	52370-04
	Grab strap in kit 52288-06	51176-96B
	Grab strap in kit 52359-06	52370-04
	Grab strap in kit 52378-07	52313-96
	Kit 52359-06 and 52378-07 includes leather dressing	Not Sold Separately
3	Nut, hex	7792
4	Washer, plain	6036
5	Nut, retention	7891
6	Screw, hex head, flange	3574

NOTE: Items 3-6 are stock on vehicles with 2-up seating