



INSTRUCTIONS

-J02158

REV. 2006-10-13

LUGGAGE RACK KIT

GENERAL

Kit Number

51119-01A, 51142-04

Models

For model fitment information, please see P&A retail Catalog or the Parts and Accessories section of www.harley-davidson.com (English only).

Additional Parts Required

Proper installation of this kit also requires prior installation of a Fender Baseplate Kit (Chrome - 51120-01A or Black - 51140-04)

Kit Contents

See Figure 2 and Table 1.

INSTALLATION

NOTE

It is not necessary to remove seat or pillion to install the Luggage Rack.

1. If necessary, install Fender Baseplate Kit (51120-01A or 51140-04) following instructions included with kit.
2. See Figure 1. Remove the four cosmetic screws (1) at the rear of the baseplate (2). Discard screws.
3. See Figure 2. Obtain four button head screws (3), four spacers (2) and luggage rack (4) from kit.
4. Orient luggage rack as shown and position over baseplate. Using four spacers and four screws, install luggage rack

to baseplate. Alternately tighten screws to 28 Nm (20.7 ft-lbs).

WARNING

Do not exceed luggage rack weight capacity. Too much weight can cause loss of control, which could result in death or serious injury. (00373a)

NOTE

Maximum luggage rack weight capacity is 4.5 Kg (10 lbs).

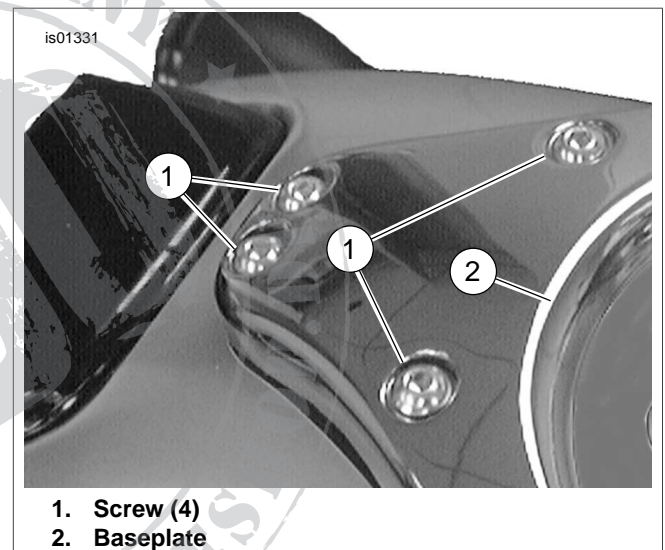


Figure 1. Remove Cosmetic Screws

SERVICE PARTS

is01332

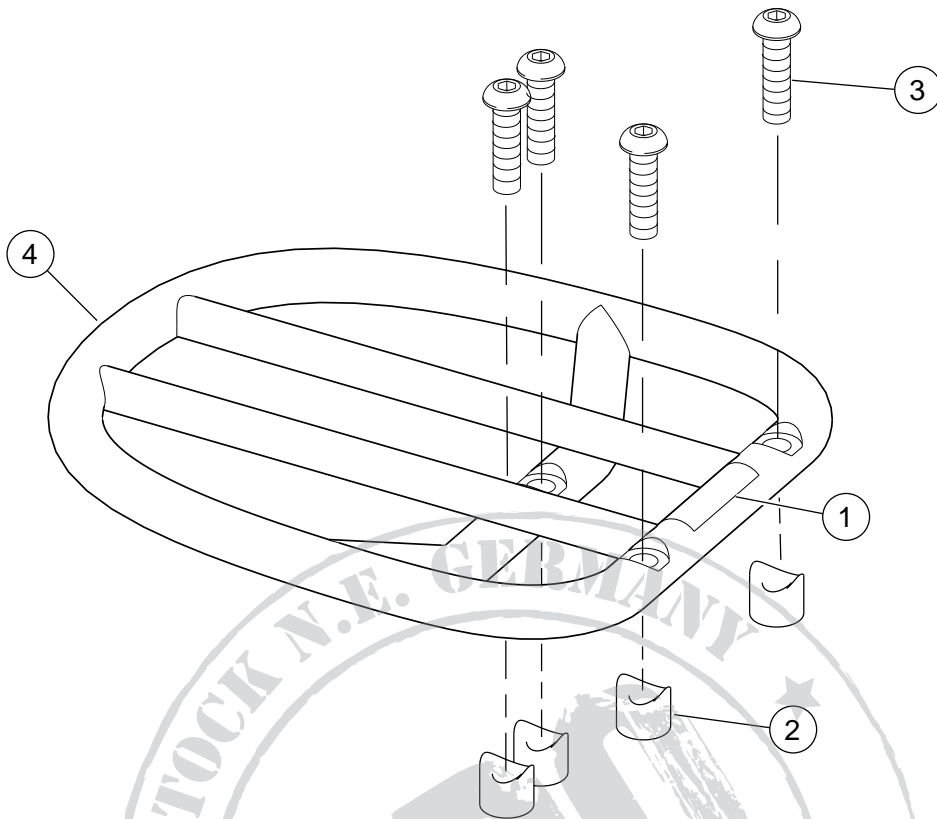


Figure 2. Service Parts for Luggage Rack Kit

Table 1. Service Parts Table

Item	Description (Quantity)	Part Number
1	Label, load limit	Not Sold Separately
2	Spacer (chrome) (4)	33128-04
	Spacer (black) (4)	33124-04
3	Screw, M8X1.25X30 (chrome)	4473M
	Screw, M8X1.25X30 (black)	4285M
4	Rack, luggage	Not Sold Separately