



# INSTRUCTIONS

-J00732

REV. 4-26-02

Kit Numbers 51130-98, 51132-98, 52347-97, 52348-97, 52350-97, 52415-98, 52512-02

## BACKREST KIT

### General

These kits are designed for use on all Softail models equipped with Sissy bar Uprights, part number 52735-85.

See Service parts below for kit contents.

### Installation

1. With your hand, feel through the backrest material to locate mounting holes.
2. Carefully cut holes in material at mounting locations as applicable. Cut only enough material away for screw to enter backrest.
3. See Service Parts Illustration. Secure backrest (4) to sissy bar using bracket (3) and pan head screws (1).
4. Install flat head screw (2) through center hole into backrest (4).
5. Tighten all screws securely. Do not overtighten.



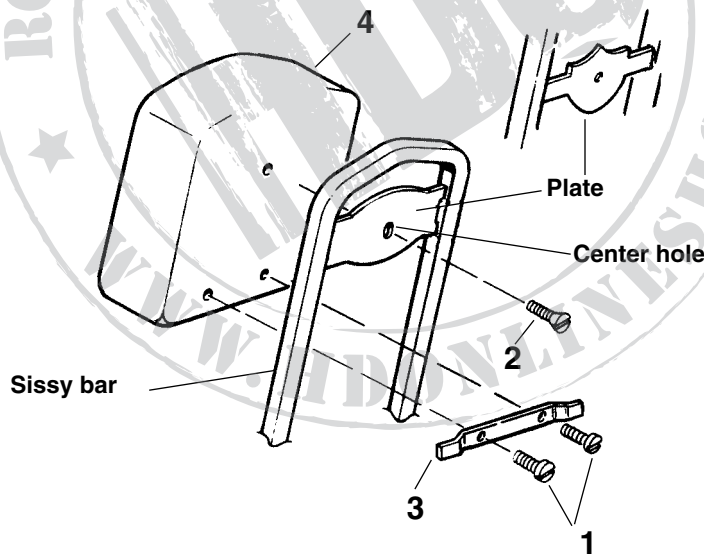
## Service Parts

Part No. 51130-98 & others

Date 4/02

Backrest Kits

100849.



Item	Description	Part No.
1	Screw, pan head, 1/4-20x1 in. (2)	2538
2	Screw, flat head, 1/4-20x1 in.	1617
3	Bracket, back rest	52771-82
4	Backrest	Not sold separately

**NOTE**  
For illustration purposes, a generic style backrest is shown.