



INSTRUCTIONS

-J02159

REV. 2006-11-27

BASEPLATE KIT

GENERAL

Kit Number

51120-01A, 51140-04

Models

For model fitment information, please see the P&A Retail Catalog or the Parts and Accessories section of www.harley-davidson.com (English only).

Kit Contents

See Figure 7 and Table 1.

INSTALLATION

1. Follow the instructions in the VRSC Owner's Manual to unlock and open seat.

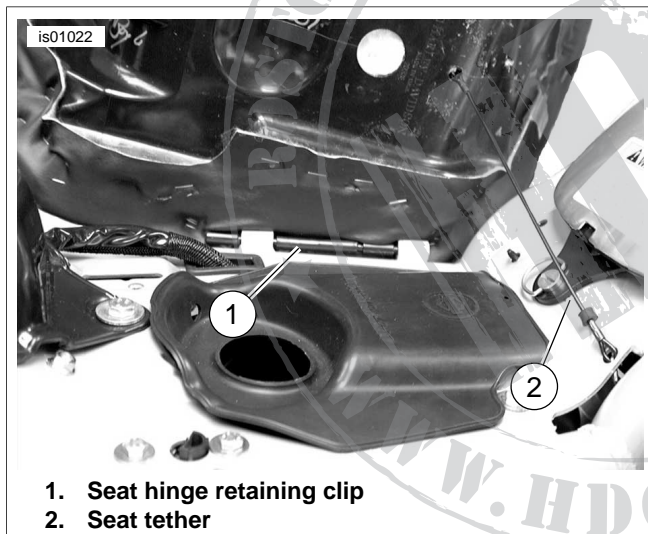


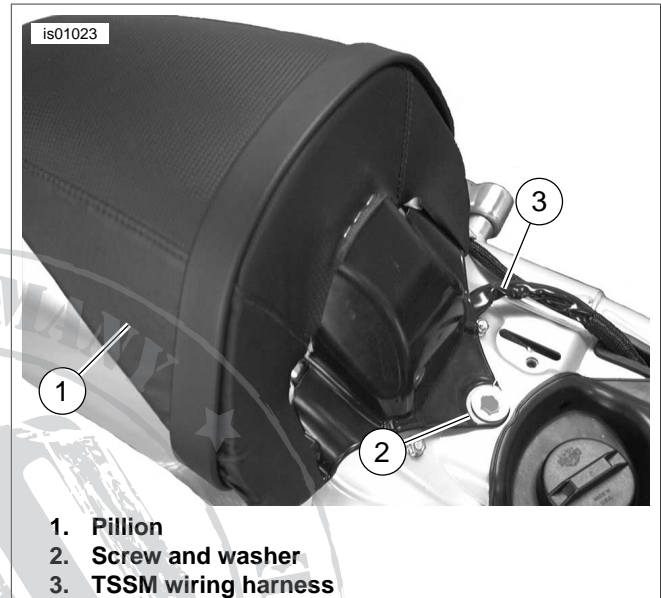
Figure 1. Remove Seat

2. See Figure 1. Remove the seat tether from the hole in the motorcycle frame.

NOTE

Turn the tubular seat-hinge retaining clip to reveal the slotted length of the clip, then push on the slot with your finger to pop the clip off the hinge pins. Closing the seat slightly allows the clip to fall from the hinge-side of the seat.

3. Slide the seat rearward to release the seat hinge pins from the bushings on the frame. Temporarily set the seat aside.



1. Pillion
2. Screw and washer
3. TSSM wiring harness

Figure 2. Remove Pillion Mount Screw and Washer

4. See Figure 2. Make note of how TSSM (Turn Signal/Security Module) wiring routes under pillion base and remove and save the pillion mounting screw and washer for re-installation.
5. Pull the grabstrap forward off of the pillion.
6. Push the pillion forward to release the slot on the bottom of the pillion from the tongue on the fender. Lift the pillion back and away from the motorcycle and temporarily set aside.



1. Screws and washers
2. Hex head screws and washers

Figure 3. Remove Fender Support Screws and Washers

7. See Figure 3. Remove the two larger fender support screws and washers (1) near the center of the fender. Discard screws, but save washers for re-installation.
8. Remove the two smaller fender support hex-head screws and washers (2) near the sides of the fender. Discard screws, but save washers for re-installation.
9. Thoroughly clean fender at pillion mounting area of all dirt and debris.
10. See Figure 7. Obtain baseplate (5) and baseplate gasket (4) from kit.
11. Using isopropyl alcohol at full strength, thoroughly clean the mounting side of the baseplate. Let dry completely.



Figure 4. Install Gasket to Baseplate

12. See Figure 7. Remove the paper backing covering the gasket adhesive (4). Carefully align the adhesive side of gasket over the back of the baseplate (5) and work around edges. Make sure gasket is aligned and adheres along the entire baseplate perimeter as shown.
13. See Figure 7. Obtain the two large button head screws (2) and two small button head screws (3) from kit. Also obtain the large and small flat washers saved in Steps 7 and 8.
14. See Figure 5. Carefully align the baseplate (with gasket) over the screw holes in the top of the fender.

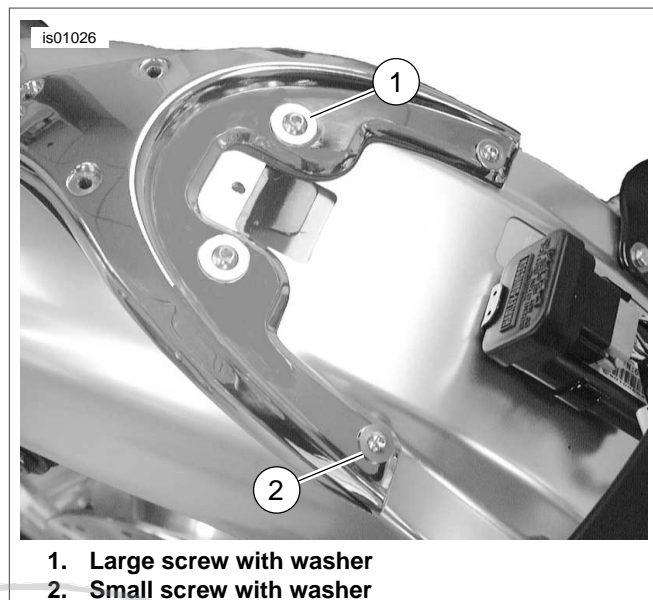


Figure 5. Install Baseplate Mounting Hardware

15. Install the two large screws (1) with large washers through the baseplate, gasket and into the fender. Finger tighten.
16. Install the two small screws (2) with small washers through the baseplate, gasket and into the fender and finger tighten.
17. Adjust the baseplate, if necessary, to make sure it is aligned (parallel) with the fender. Alternately tighten all four screws to 20-26 Nm (14.8-19.2 ft-lbs).

NOTE

The screws installed in the next step serve as "Cosmetic" screws. These screws will be removed when optional accessories such as Luggage Rack (Part Number 51119-01A or 51142-04) are added.

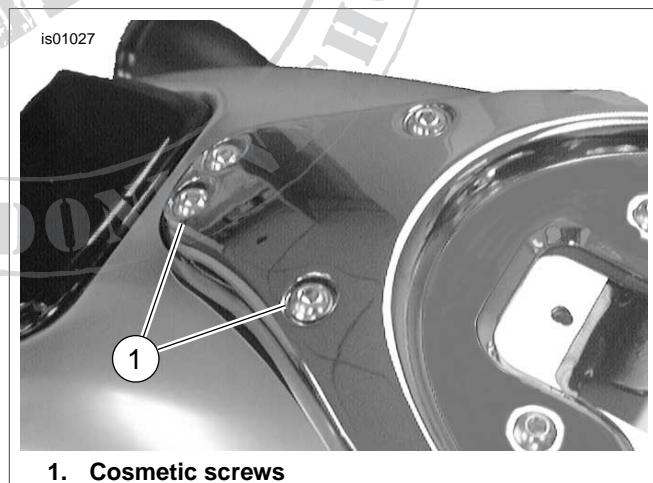


Figure 6. Install Cosmetic Screws

18. See Figure 6 and Figure 7. Obtain four screws (1) from kit. Install the four (cosmetic) screws into the holes at the rear of the baseplate. Tighten screws to 20 Nm (15 ft-lbs).
19. Obtain the pillion removed in Step 6 and insert into position under the grabstrap.

20. Push the pillion toward the front of the vehicle until the mounting hole in the base is approximately 25 mm (1 inch) in front of the mounting hole in the frame.
21. See Figure 2. Route the TSSM harness through the recessed channel on the base of the pillion.
22. While applying downward pressure on the middle of the pillion, slide the pillion rearward to fully engage the slot on the bottom with the tongue on top of the fender. Push rearward until the mounting hole on the pillion base is aligned with the mounting hole in the frame.
23. Obtain hex head screw and washer saved in Step 4 and install to secure base to frame. Tighten screw to 11-17 Nm (97-150 in-lbs).
24. See Figure 1. Install seat in reverse order of removal. Make sure both seat pins engage in their bushings on the frame. Make sure seat tether is installed to hole in frame.

CAUTION

When closing the seat, make sure the ignition switch is in the FUEL position. If the ignition switch is in any other position when the seat is closed, the seat latch mechanism could be damaged. (00196a)

25. Refer to the Owner's Manual and follow the instructions given to close and latch the seat. Pull up on the latch side of the seat to ensure it is locked.

WARNING

After installing seat, pull upward on seat to be sure it is locked in position. While riding, a loose seat can shift causing loss of control, which could result in death or serious injury. (00070b)

SERVICE PARTS

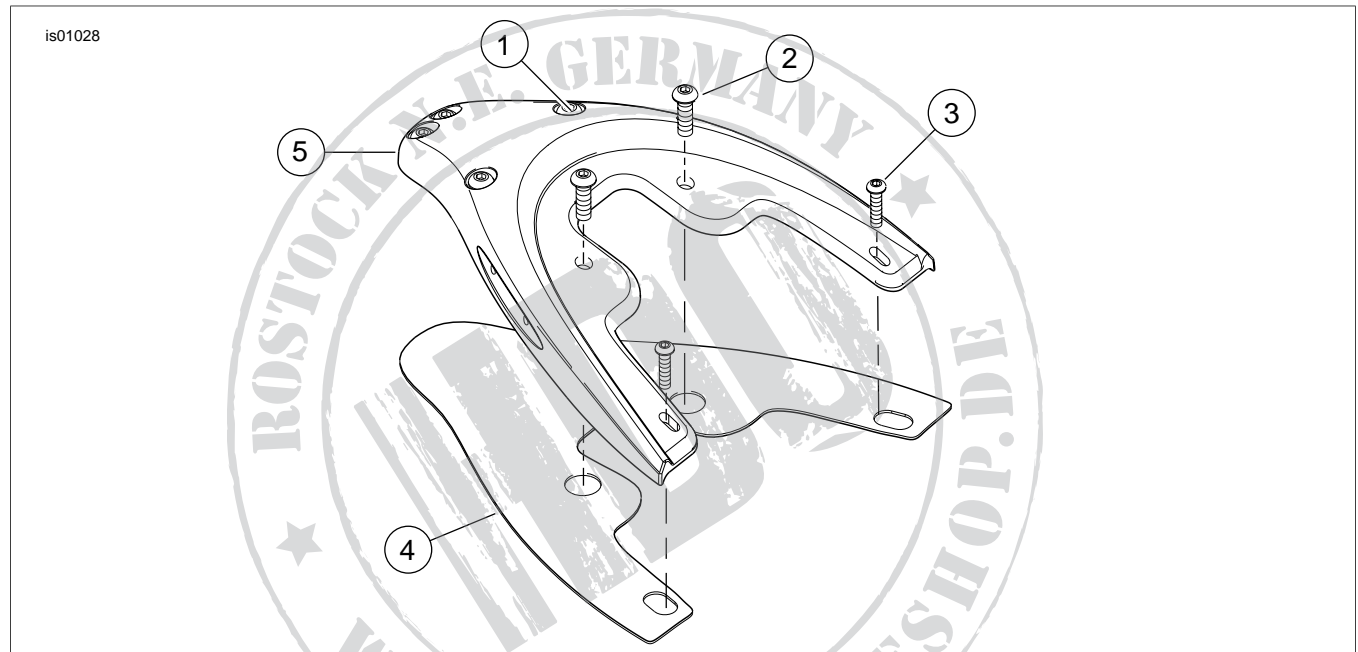


Figure 7. Service Parts: Baseplate Kit

Table 1. Service Parts: Baseplate Kit

Item	Description (Quantity)	Part Number Kit 51120-01A (chrome)	Part Number Kit 51140-04 (black)
1	Screw, button head M8-1.25 x 10 (4)	4472M	4284M
2	Screw, button head M8-1.25 x 25 (2)	4772M	4772M
3	Screw, button head M6-1 x 25 (2)	4256M	4256M
4	Gasket, baseplate	51123-01	51123-01
5	Casting, baseplate	Not Sold Separately	Not Sold Separately