



INSTRUCTIONS

-J02536

REV. 3-5-02

Kit Number 51099-02

FXSTD PASSENGER BACKREST PAD

General

This kit must be installed on one of the following two passenger uprights:

Kit 51114-00 is a standard-height upright that fits 2000 and later FXSTD Softail models.

Kit 51144-02 is a taller upright that fits 2000 and later FXSTD Softail models.

These kits are available separately from your Harley Davidson Dealer.

See the Service Parts illustration for a list of kit contents.

Installation

PASSENGER UPRIGHT

1. Install the passenger upright according to the instructions provided with the kit.

BACKREST PAD

1. See the Service Parts illustration. Fasten the backrest pad (3) to the passenger upright using the button-head screws (1) as shown. Use the provided washers (2) if the bosses are not on the upright as indicated. If the bosses are in place, the washers may be discarded.



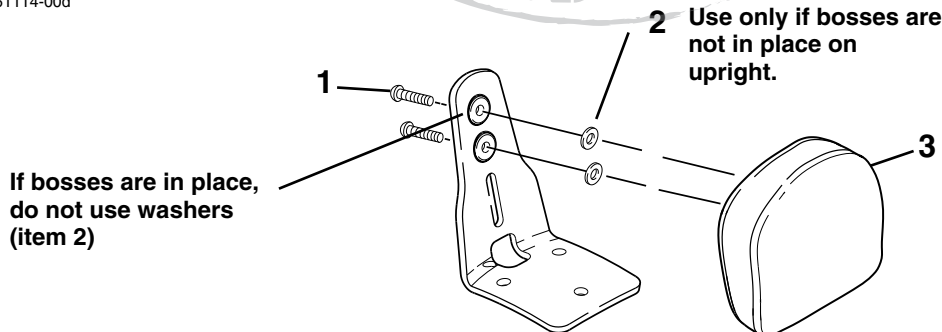
Service Parts

Part No. 51099-02

Date 3/02

Backrest Pad

sp51114-00d



Item	Description (Qty)	Part No.
1	Button-head screw, 5/16-18 x 3/4 (2)	94393-92T
2	Washers (2)	Not sold
3	Backrest pad	Not sold