



INSTRUCTIONS

-J04514

REV. 2009-11-05

ELECTRA GLO LIGHTED RIDER FOOTBOARD INSERT KITS

GENERAL

Kit Numbers

50745-10, 51080-10, 51082-10, 51130-10

Models

For model fitment information, see the P&A retail catalog or the Parts and Accessories section of www.harley-davidson.com (English only).

NOTES

These footboard inserts fit traditional "D" shaped rider footboard pans only. They will not fit "Swept Wing", "Tapered", "Half-Moon" or "Old-Style" footboards.

Electra Glo™ lighted footboard inserts are designed and intended for display use only. Some local regulations prohibit the use of colored lighting while the vehicle is operated on public streets and highways.

Check local regulations regarding vehicle operation with colored lighting.

⚠ WARNING

The rider's safety depends upon the correct installation of this kit. If the procedure is not within your capabilities or you do not have the correct tools, have a Harley-Davidson dealer perform the installation. Improper installation of this kit could result in death or serious injury. (00308a)

NOTE

This instruction sheet refers to service manual information. A service manual for this year/model motorcycle is available from a Harley-Davidson dealer.

Electrical Overload

⚠ CAUTION

It is possible to overload your motorcycle's charging system by adding too many electrical accessories. If your combined electrical accessories operating at any one time consume more electrical current than your vehicle's charging system can produce, the electrical consumption can discharge the battery and cause vehicle electrical system damage. See a Harley-Davidson dealer for advice about the amount of current consumed by additional electrical accessories, or for necessary wiring changes. (00211b)

⚠ WARNING

When installing any electrical accessory, be certain not to exceed the maximum amperage rating of the fuse or circuit breaker protecting the affected circuit being modified. Exceeding the maximum amperage can lead to electrical failures, which could result in death or serious injury. (00310a)

This Lighted Rider Footboard Insert Kit requires up to **80 mA** additional current from the electrical system.

Kit Contents

See Figure 2 and Table 1.

REMOVAL

1. Refer to the owner's manual and follow the instructions to remove the seat. Retain all seat mounting hardware.
2. Apply liquid dishwashing soap to the rubber isolator beads protruding through the bottom of the footboard pan.
With the operator footboard in the "up" position, use a screwdriver to work the rubber beads out through the top of the footboard.
3. Repeat Step 2 on the other side of the vehicle.

INSTALLATION

Footboard Insert Installation

NOTE

The footboard inserts are side-specific. The footboard inserts install so that the top of the Bar & Shield logo is toward the front of the vehicle.

1. Apply liquid dishwashing soap to the rubber isolator beads on the **new** footboard insert.

NOTE

On the right side only, disconnect the harness extension from the footboard insert wiring harness.

2. From the top, feed the footboard insert wiring harness through the innermost mounting hole.
3. With the footboard in the "up" position, place the insert into position on the footboard pan, and hold it firmly in place.
4. From the underside of the footboard, use a pliers to pull each rubber isolator bead into its mating hole in the footboard pan until the thick collar protrudes through the pan.
5. Repeat Steps 1 through 4 on the other side of the vehicle.

Wire Routing

1. Route the wires from the left-side footboard insert:
 - a. Along the back side of the forward footboard mounting bracket,
 - b. and behind the left-side frame downtube and voltage regulator.
 - c. Pass the wires **beneath** the oil sender connector and behind the right-side frame downtube.
2. Route the **short leg** of the right-side footboard insert wire harness:
 - a. Along the back side of the forward footboard mounting bracket,
 - b. and up **behind** the rear brake master cylinder.
3. Apply the contents of the dielectric grease packet (4) to the footboard insert wiring harness and extension harness connector terminals.
4. Insert the male plug connector from the left-side insert into the socket connector from the right-side insert harness.
5. Connect the accessory power harness (3) to the right-side footboard insert wiring harness.
6. Allow sufficient wire length to allow the footboards to pivot freely through their entire range, then use cable straps (5) from the kit to tie the footboard insert harnesses to the back sides of the forward footboard mounting brackets.
7. Coil any excess wire from the left-side footboard insert wiring harness and the **short leg** of the right-side insert harness.

Tuck the wiring behind the lower front frame crossmember, and secure to the harnesses behind the voltage regulator.
8. Route the long leg of the right-side footboard insert wire harness:
 - a. Back along the inside of the right-side lower frame tube
 - b. and upward, behind the main frame rear upright and right side cover into the area under the seat.

NOTE

Make sure the harness is positioned to avoid moving parts, heat sources and chafe points.

9. Use cable straps to secure the footboard insert wire harness to the frame tubes and vehicle harnesses along its entire length.

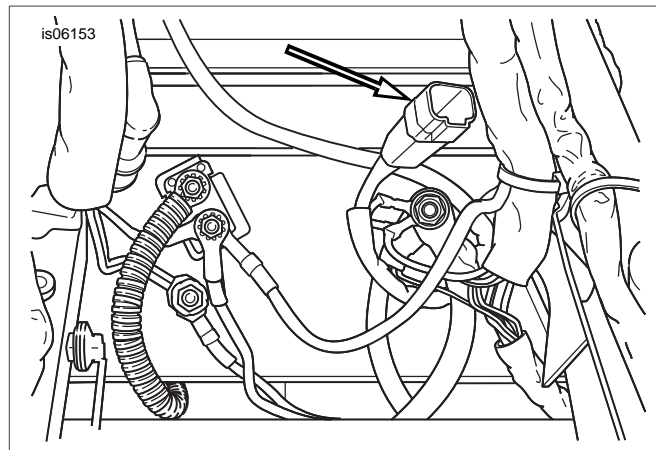


Figure 1. Accessory Connector [4] Location Under Seat

10. Locate the four-way accessory connector [4] in the area under the seat. See Figure 1. Remove the plug from the accessory connector.

Connect the footboard insert wire harness to the accessory connector.

NOTES

If the accessory connector is already in use, a Switched Circuit Adapter Harness (Part No. 70264-94A) is available from a Harley-Davidson dealer to provide an additional connection point.

These lighted footboards are designed and intended for display use only. Some local regulations prohibit the use of colored lighting while the vehicle is operated on public streets and highways.

Check local regulations regarding vehicle operation with colored lighting.

11. Turn the **ignition key switch** to ACCESSORY, but do not start the motorcycle.

Check the operation of the footboard inserts. The footboards should turn on and off with actuation of the **accessory switch** on the inner fairing cap.

WARNING

After installing seat, pull upward on seat to be sure it is locked in position. While riding, a loose seat can shift causing loss of control, which could result in death or serious injury. (00070b)

12. Refer to the owner's manual, and follow instructions to install the seat.

NOTE

Avoid the contact of chrome surfaces with abrasive materials (stones, sand, etc.) as damage will result.

SERVICE PARTS

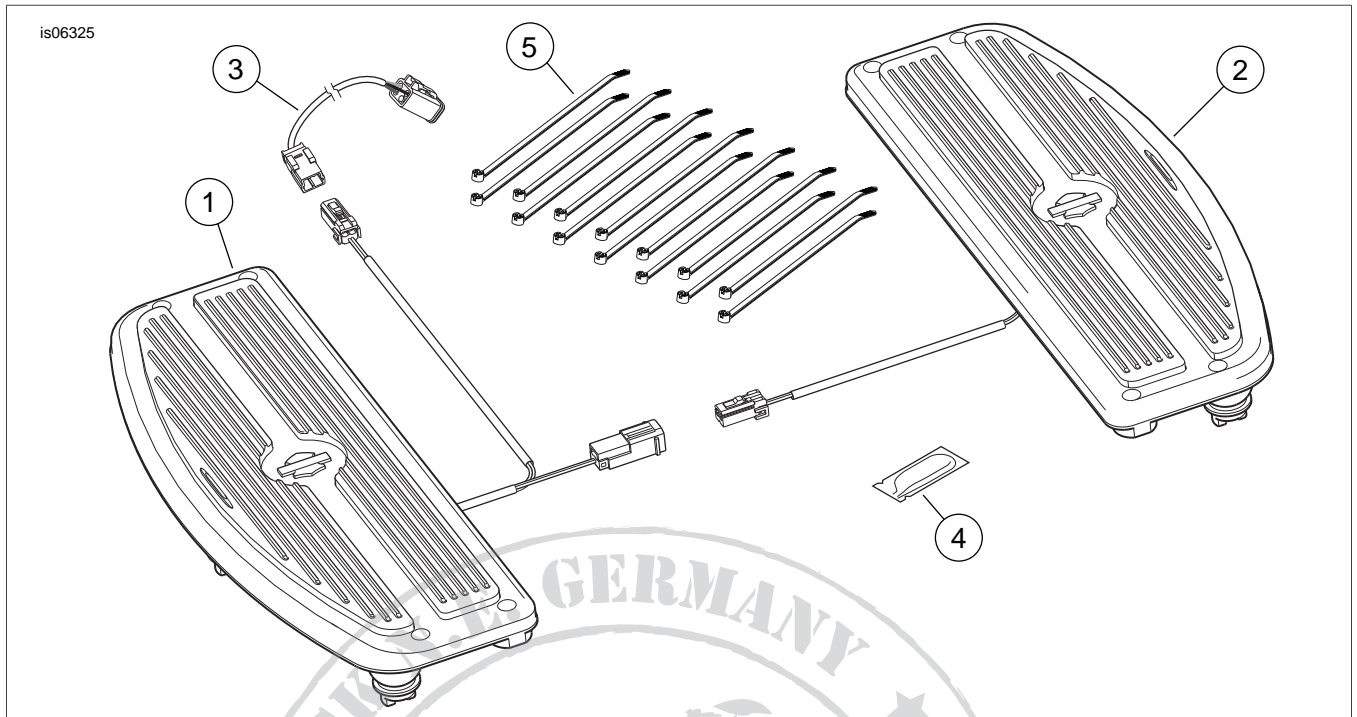


Figure 2. Service Parts, Electra Glo Lighted Rider Footboard Insert Kits

Table 1. Service Parts Table

Kit	Item	Description (Quantity)	Part Number
Kit 50745-10 Footboard Inserts, Red	1	Footboard assembly, right (Red)	50748-10
	2	Footboard assembly, left (Red)	50747-10
Kit 51080-10 Footboard Inserts, Amber	1	Footboard assembly, right (Amber)	51244-10
	2	Footboard assembly, left (Amber)	51237-10
Kit 51082-10 Footboard Inserts, Blue	1	Footboard assembly, right (Blue)	51245-10
	2	Footboard assembly, left (Blue)	51240-10
Kit 51130-10 Footboard Inserts, Purple	1	Footboard assembly, right (Purple)	51285-10
	2	Footboard assembly, left (Purple)	51242-10
Parts common to ALL kits	3	Accessory power harness	Not sold separately
	4	Packet, dielectric grease	76001-04
	5	Cable strap (14)	10006