



INSTRUCTIONS

-J03371

REV. 04-23-2004

Kit Number 51039-05

CHROME PASSENGER FOOTPEG SUPPORT KIT

General

This Chrome Passenger Footpeg Support is designed for installation on 2005 FLSTN Softail® models.

This kit consists of the following components:

QTY	DESCRIPTION	PART NO.
2	Retaining Ring	11304
2	Footpeg Clevis Pin	42680-01
2	Passenger Footrest Support	51050-05

WARNING

The rider's safety depends upon the correct installation of this kit. If the procedure is not within your capabilities or you do not have the correct tools, have a Harley-Davidson dealer perform the installation. Improper installation of this kit could result in death or serious injury. (00308a)

WARNING

The footrest pegs must fold up at a 45° angle (from vertical) toward rear of motorcycle. This angle allows footrest pegs to fold up if they strike the ground when making a sharp turn. Failure to set footpegs to the proper fold-up angle could result in death or serious injury.

Installation

NOTE

A Service Manual for your model motorcycle is available from any Harley-Davidson Dealer.

1. See Service Parts illustration. Remove retainer ring (1), and footpeg clevis pin (2) from the passenger footrest (4). Discard both items. Retain footrest for later use.
2. Remove and retain spring washer (3) for later use.
3. Remove and retain the hex head socket cap screw (6) from passenger footrest support (5). Discard passenger footrest support.
4. Install the new passenger footrest support (5) using the hex head socket cap screw (6) previously removed. Tighten screw to 35-45 ft-lbs (47.5-61.0 Nm).
6. Install passenger footrest (4) using the new footpeg clevis pin (2), retainer ring (1) and retained spring washer.
7. Repeat procedure for opposite side passenger footrest support.





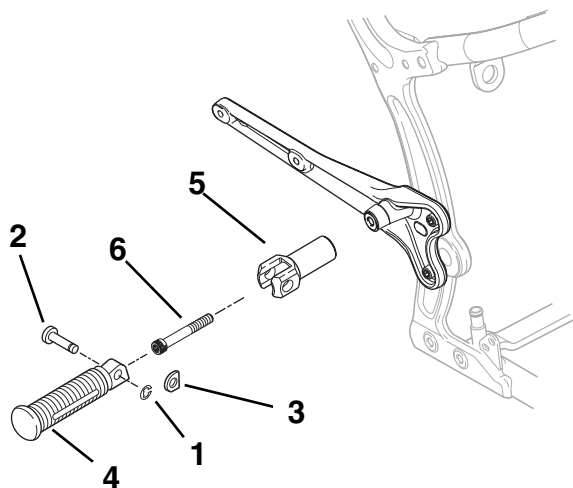
Service Parts

Part No. 51039-05

Date 04/2004

Chrome Footpeg Support Kit

106337



Item	Description	Part No.
1	Retainer ring	11304
2	Footpeg clevis pin	42680-01
3	Spring washer	Not in kit
4	Passenger footrest	Not in kit
5	Passenger footrest support	51050-05
6	Hex head socket cap screw	Not in kit

