



INSTRUCTIONS

-J04073

REV. 2006-04-16

IRONSIDE FOOTPEG KIT

GENERAL

Kit Number

50935-07

Models

This footpeg kit is designed for installation on all Harley-Davidson models equipped with "male mount" style footpeg supports.

Replacement Tread (Part Number 50835-07) is available from your local Harley-Davidson Dealer.

Kit Contents

See Figure 2 and Table 1.

There are no Service Parts available with this kit.

INSTALLATION

1. Remove the locknuts and screws that hold the existing footpegs in place. If your model motorcycle is equipped with a pin and retaining ring, remove them and retain for future use. Save all hardware for installation of the new footpegs.
2. Remove the existing footpegs along with the spring washers. Save the spring washers for later installation.

NOTE

See Figure 1. When performing the next step, ensure that the spring washer is positioned inside of the footpeg support with the square edge (2) towards the inside of the support.

3. See Figure 1. Install the new footpegs in the same manner as the old footpegs were installed. Place a spring washer

(1), along with the mount end of the footpeg, inside the slots (3) of the footpeg supports.

4. Secure each footpeg and spring washer with the screw and locknut or pin and retaining ring removed earlier. Tighten the locknuts to 19 ft-lbs (26 Nm).
5. See Figure 2. For each footpeg, insert the screw (4) in the footpeg support mount (3) recessed hole and begin to thread the screw. Tighten the screw to 14-19 ft-lbs (19-26 Nm).

WARNING

Footrests must fold up and toward rear of motorcycle if struck. Failure to set footrests to fold up and back could result in death or serious injury. (00366a)

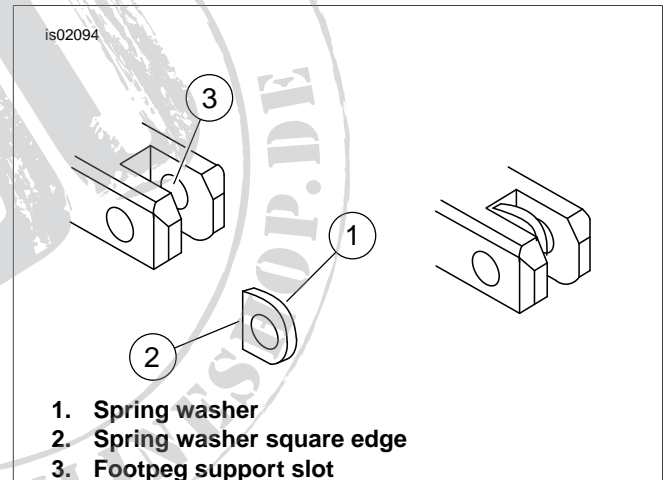


Figure 1. Footpeg Spring Washer Installation

SERVICE PARTS

is02703

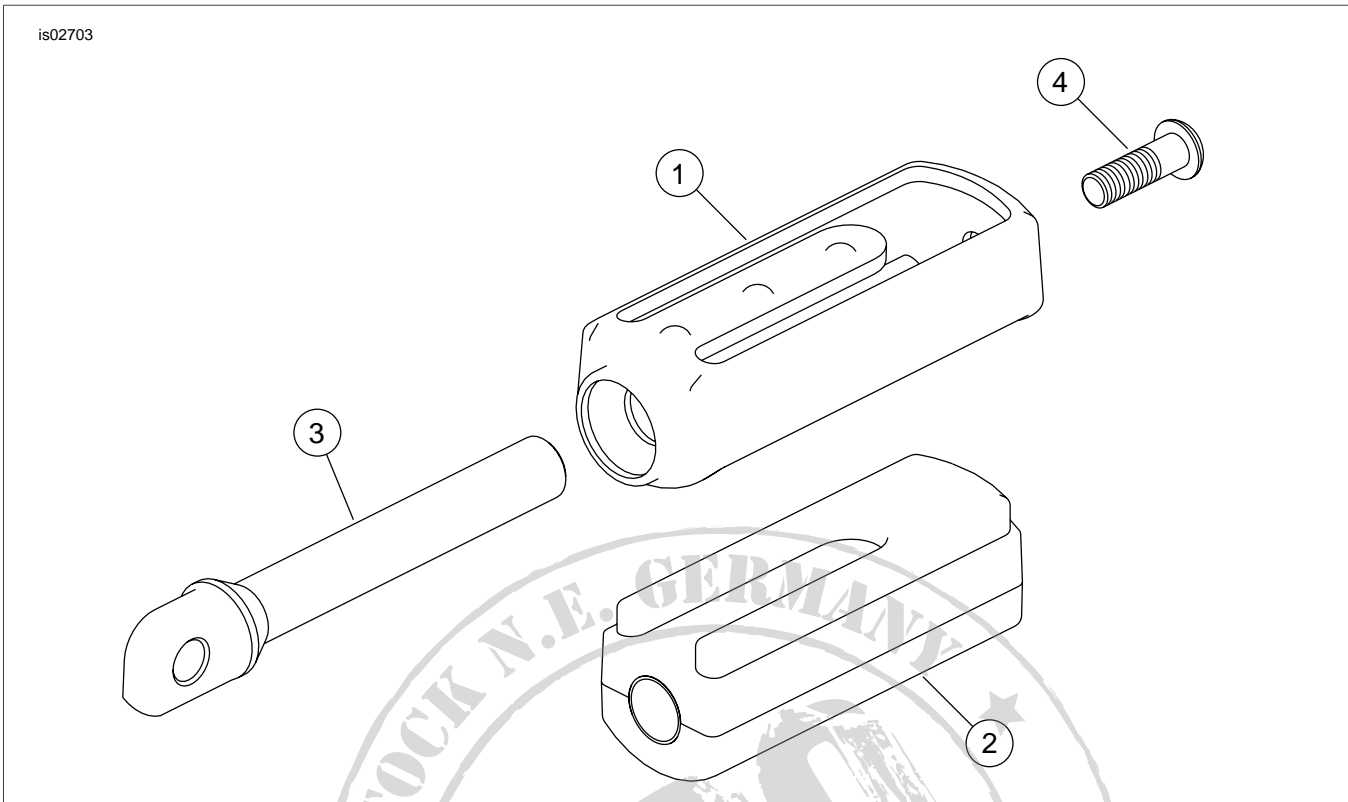


Figure 2. Service Parts: Footpeg Kit

Table 1. Service Parts Table

Item	Description (Quantity)	Part Number
1	Body, footpeg	50834-07
2	Tread, footpeg	50835-07
3	Mount, footpeg support	50351-03
4	Screw, 5/16-18 x 1.0 inch w/lock patch, chrome plated	94409-03