



INSTRUCTIONS

-J04771

REV. 2008-06-24

CUSTOM FOOTBOARD AND INSERTS

GENERAL

Kit Number

50807-08, 50810-08

Models

For model fitment information, see the P&A Retail Catalog or the Parts and Accessories section of www.harley-davidson.com (English only).

Separate purchase and installation of additional parts or accessories may be required for proper installation of this kit on your model motorcycle. Please see the P&A Retail Catalog or the Parts and Accessories section of www.harley-davidson.com (English only) for a list of required parts or accessories for your model.

WARNING

The rider's safety depends upon the correct installation of this kit. Use the appropriate service manual procedures. If the procedure is not within your capabilities or you do not have the correct tools, have a Harley-Davidson dealer perform the installation. Improper installation of this kit could result in death or serious injury. (00333a)

NOTE

This instruction sheet references service manual information. A Service Manual for your model motorcycle is required for this installation and is available from a Harley-Davidson Dealer.

Kit Contents

See Figure 1 and Table 1.

REMOVAL

1. If the motorcycle is equipped with passenger footboards, remove the right and left pan and pad using the service manual instructions.
2. Leave the footboard support in place. Retain the hardware for reassembly of the new pans.
3. If the motorcycle is not equipped with passenger footboard supports, install them according to the instructions provided with that kit.

INSTALLATION

Footboard Assembly

NOTE

Use this procedure to replace the entire footboard insert assembly.

1. Place new footboard pan in position with footboard support and insert retaining pins using a brass drift and rubber mallet.
2. Moisten rubber beads on pad with soapy water. Place pad into position on footboard. From bottom of footboard, use needle nose pliers to pull rubber beads down through holes in footboard.
3. Engage nubs on inboard corners of pad with holes in footboard.
4. Repeat the above steps for the remaining footboard insert assembly.

SERVICE PARTS

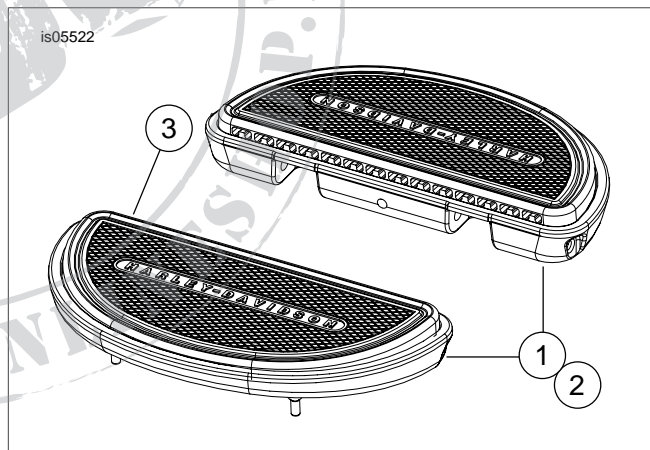


Figure 1. Service Parts: Custom Footboard

Table 1. Service Parts

Item	Description (Quantity)	Part Number
1	Half-round footrest, black (2)	50811-08
2	Half-round footrest, chrome (2)	51247-09
3	Passenger footpad (2)	51248-09