



INSTRUCTIONS

-J03476

REV. 08-19-04

Kit Number 50752-04

TOURING CHROME PASSENGER FOOTBOARD PAN KIT

General

This kit is designed for installation on 1986 and later Touring model and 2000 and later Softail model motorcycles equipped with passenger footboards.

See the Service Parts Illustration for a list of the items contained in this kit.

WARNING

The rider's safety depends upon the correct installation of this kit. Use the appropriate service manual procedures. If the procedure is not within your capabilities or you do not have the correct tools, have a Harley-Davidson dealer perform the installation. Improper installation of this kit could result in death or serious injury. (00333a)

NOTE

A Service Manual for your model motorcycle is available from any Harley-Davidson dealer.

Installation

1. See Service Parts illustration. Remove socket head cap screw (2) from footboard support (3). Place support on a clean flat surface.
2. From bottom of footboard (1), use a small flat blade screwdriver to push rubber beads on pad (5) up through holes in footboard. Remove pad from footboard.
3. Using a brass drift and rubber mallet, tap two retaining pins (4) toward center of footboard and remove.
4. Remove footboard from support bracket taking care to remove and retain detent ball (6) and spring (7) from footboard support (3).
5. Insert spring (7) and detent spring (6) into footboard support (3).
6. Place **new** chrome footboard pan in position with footboard support and insert retaining pins using a brass drift and rubber mallet.
7. Moisten rubber beads on pad with soapy water. Place pad into position on footboard. From bottom of footboard, use needle nose pliers to pull rubber beads down through holes in footboard.
8. Engage nubs on inboard corners of pad with holes in footboard.
9. Install socket head cap screw into footboard support and tighten **120 in-lbs** (13.6 Nm).
10. Repeat procedure for other passenger footboard.



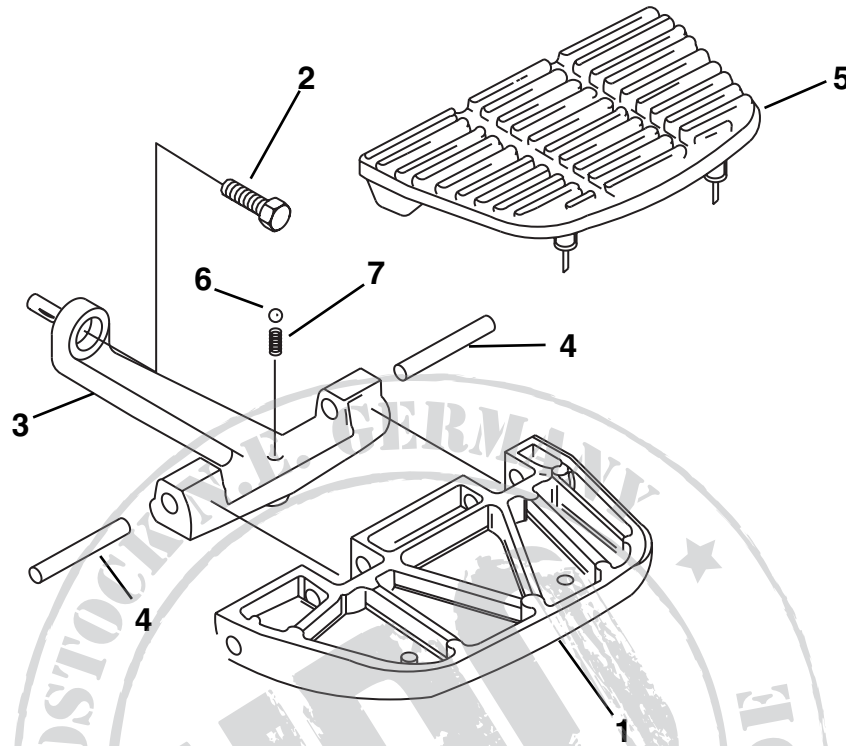
Service Parts

Part No. 50752-04

Date 08/19

Passenger Footboards

i06725



Item	Description	Part No.
1	Chrome passenger footboard pan	52721-04
2	Socket screw	Reference only
3	Footboard support	Reference only
4	Pivot pins (2)	Reference only
5	Pad, footboard	Reference only
6	Detent ball	Reference only
7	Spring	Reference only