



# INSTRUCTIONS

-J01590

REV. 2009-06-18

## SOFTAIL PASSENGER FOOTBOARD KIT

### GENERAL

#### Kit Number

50602-00A, 52715-04A

#### Models

For model fitment information, see the P&A Retail Catalog or the Parts and Accessories section of [www.harley-davidson.com](http://www.harley-davidson.com) (English only).

#### Additional Parts Required

**For 2000 and Later FLSTC Equipped with Factory-Installed Leather Saddlebags:** Separate purchase of a Bracket Relocation Kit (90238-00) is required for proper installation of this kit. See a Harley-Davidson dealer.

#### Kit Contents

See Figure 1 and Table 1.

### INSTALLATION

1. Remove existing footpeg and attaching hardware. Remove chrome swing arm pivot covers, if equipped. Do not remove tool box, if equipped.

#### NOTE

*Some paint removal from counterbored holes of footboard support may be necessary to ease installation of the pivot pins.*

2. See Figure 1. Position footboard mount (9) and insert socket head capscrew (2) through part and into footpeg mounting hole.
3. Position the cut-out in the mount around nut of swing arm pivot bolt.
4. Tighten footboard mounting screw (2) to 45-50 ft-lbs (61-67.8 N-m).
5. Position footboard support (7) on mounting stud so that bolt hole aligns with machined groove in stud.
6. Insert screw (1) through left side in split hub of footboard support (7). Thread into tapped hole (right side) of split hub.
7. Tighten screw (1) to 10 ft-lbs (13.6 N-m).
8. Insert spring (5) into retaining hole in footboard support (7). Rest ball (8) on top of spring.
9. Position footrest (4) onto footboard support (7). Be careful not to unseat ball (8).
10. Press down on footrest so holes align. Insert pivot pins (6) through footrest and through the two mounting lugs on footboard support. Check to be certain ball (8) is seated in detent at underside of footrest.

11. Moisten footboard insert (3) rubber tabs and the footboard (4) insert mounting holes with dish soap to ease installation.
12. Press the rubber tabs on the bottom of the insert into the footrest. Make sure pin ends are seated in recesses of rubber insert.
13. Pull rubber tab ends through holes to properly seat them. Cut off the ends just below the ball. Do not cut off the ball, it serves as a retainer for the footboard insert.

### SERVICE PARTS

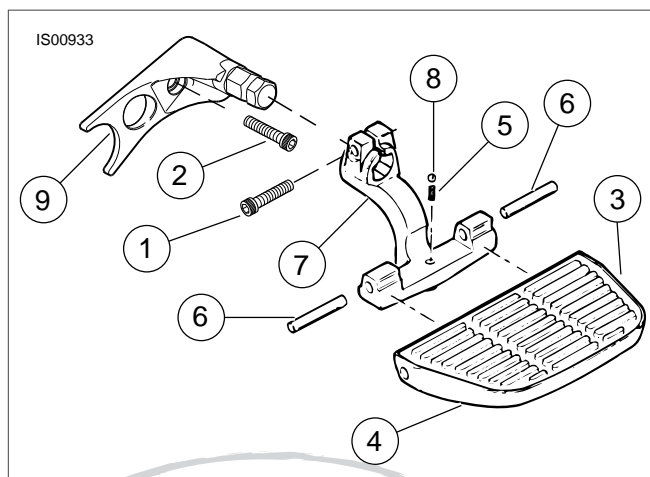


Figure 1. Service Parts: Softail Passenger Footboards

Table 1. Service Parts Table

Item	Description (Quantity)	Part Number
1	Screw, socket head (2) (Kit 50602-00A)	3601
	Screw, socket head (2) (Kit 52715-04A)	94572-98
2	Screw, socket head (2)	4310
3	Insert, footboard (2)	50606-06
4	Footrest (metal) (2) (Kit 50602-00A)	50899-99A
	Footrest (metal) (2) (Kit 52715-04A)	52721-04
5	Spring (2)	33085-74
6	Pivot pin (4)	50933-86
7	Support, footboard (2) (Kit 50602-00A)	52713-95A
	Support, footboard (2) (Kit 52715-04A)	52716-04
8	Ball, (2)	8861
9	Mount, footboard (left)	50483-00
	Mount, footboard (right)	50481-00