



INSTRUCTIONS

-J01191

REV. 2007-05-15

ADJUSTABLE MALE-MOUNT FOOTPEGS

GENERAL

Kit Number

50133-95, 50134-95, 50474-03, 50500-03

Models

These footpegs fit all Harley-Davidson "male mount" style footpeg supports as highway or passenger pegs only.

Kit Contents

See Table 1.

INSTALLATION

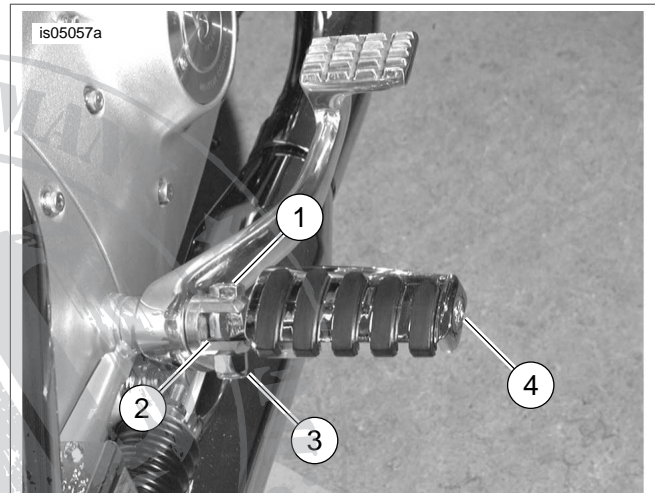
1. Remove the locknuts and screws that hold the existing footpegs in place. Save all hardware for installation of the new footpegs.
2. Remove the existing footpegs along with the spring washers. Save the spring washers for later installation.
3. Install the new footpegs in the same manner as the old footpegs were installed. Place a spring washer, along with the mount end of the footpeg, inside the slots of the footpeg supports. Make sure the spring washer is positioned inside the footpeg support with the square edge towards the inside of support as shown at the bottom of Figure 1.
4. Secure each footpeg and spring washer with the screw and locknut removed earlier. Tighten the locknuts to 19 ft-lbs (26 Nm).
5. For each footpeg, loosen the adjusting screw in the recessed hole until the footpeg rotates. Position the footpeg as desired, then tighten the adjusting screw as follows:

For Kits 50133-95, 50134-95 or 50500-03: Tighten to 21 ft-lbs (29 Nm).

For Kit 50474-03: Tighten to 14-16 ft-lbs (19-22 Nm)

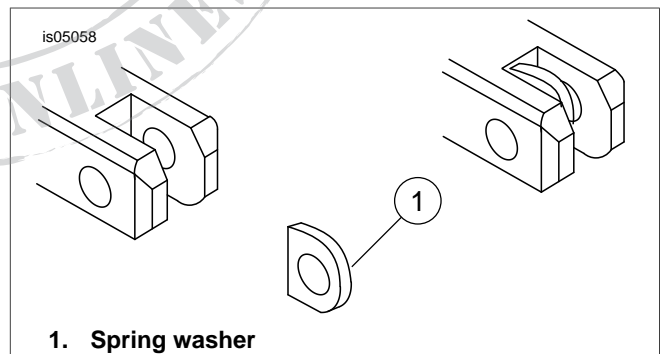
⚠ WARNING

Footrests must fold up and toward rear of motorcycle if struck. Failure to set footrests to fold up and back could result in death or serious injury. (00366a)



1. Bolt
2. Spring washer
3. Locknut
4. Adjusting screw (in recessed hole)

Figure 1. Installing the Footpeg



1. Spring washer

Figure 2. Footpeg Spring Washer Installation

SERVICE PARTS

Table 1. Service Parts Table

Description (Quantity)	Part Number
Kit 50133-95 (Airfoil-Large)	
LH Footpeg	50170-95
RH Footpeg	50171-95
Adjusting Screws (2)	2532
Kit 50134-95 (Airfoil-Small)	
LH Footpeg	50172-95
RH Footpeg	50173-95
Adjusting Screws (2)	2532
Kit 50474-03 (Airfoil-Extra Large)	
LH Footpeg	50476-03
RH Footpeg	50475-03
Adjusting Screws (2)	4115
Kit 50500-03 (Chrome and Rubber-Extra Large)	
LH Footpeg	50502-03
RH Footpeg	50501-03
Adjusting Screws (2)	4115

