



INSTRUCTIONS

-J05122

REV. 2010-06-05

JIFFY STAND EXTENSION KIT

GENERAL

Kit Number

50462-11

Models

For model fitment information, see the P&A Retail Catalog or the Parts and Accessories section of www.harley-davidson.com (English only).

Additional Parts Required

Proper installation of this kit requires the use of Loctite® 243 Threadlocker and Sealant - Blue.

Kit Contents

See Figure 2 and Table 1.

INSTALLATION

WARNING

Block or jack vehicle under frame in a way that the vehicle will not fall over. Failure to properly block and/or raise the vehicle could result in death or serious injury. (00462c)

1. Block motorcycle under frame so that motorcycle is securely resting upright and jiffy stand may be moved through its full range of travel.
2. Extend jiffy stand.
3. See Figure 2. Align extension (1) on top of the slot of the jiffy stand.
4. Apply a small amount of Loctite 243 (blue) to two screws (4).

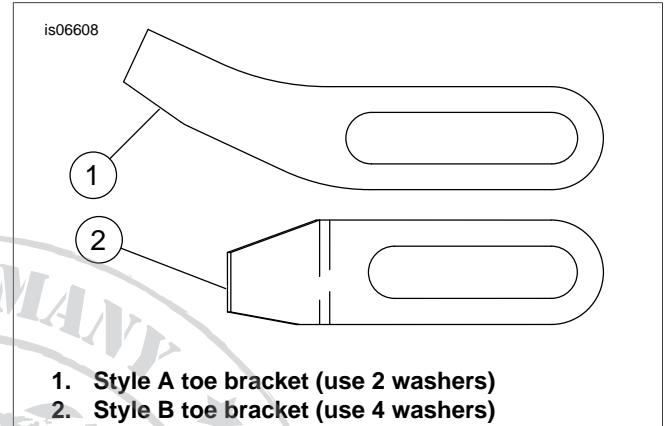
NOTES

See Figure 1 to determine if jiffy stand toe bracket is a Style A (1) or Style B (2) bracket.

Hold acorn nut in place and tighten screw to prevent damaging paint on the extension.

5. **For Style A Toe Brackets:** See Figure 2. Install two screws (4) and **two** washers (3) through the toe bracket (A) and extension (1) from the bottom, and secure with two acorn nuts (2). Align the extension with slot and tighten screws to 48 in-lbs (0.5 Nm).

For Style B Toe Brackets: See Figure 2. Install two screws (4) and **four** washers (3) through the toe bracket (A) and extension (1) from the bottom, and secure with two acorn nuts (2). Align the extension with slot and tighten screws to 48 in-lbs (0.5 Nm).



1. Style A toe bracket (use 2 washers)
2. Style B toe bracket (use 4 washers)

Figure 1. Toe Bracket Styles

SERVICE PARTS

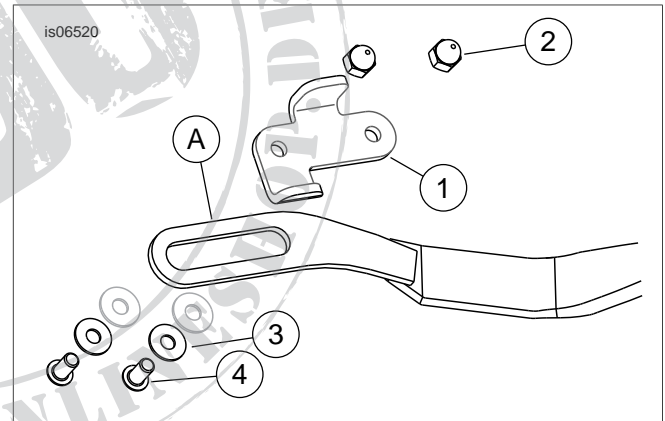


Figure 2. Service Parts: Jiffy Stand Extension Kit (XL-Style Toe Bracket Shown)

Table 1. Service Parts

Item	Description (Quantity)	Part Number
1	Extension	Not Sold Separately
2	Nut, acorn, black (2)	10100001
3	Washer (2 for Style A toe brackets, 4 for Style B toe brackets)	10600001
4	Screw (2)	924
Items mentioned in text, but not included in kit.		
A	Jiffy stand toe bracket (Style A shown)	