



# INSTRUCTIONS

-J03377

REV. 10-1-2004

Kit Number 50409-04

## ERGONOMIC OPERATOR FOOTBOARD KIT

### General

This Ergonomic Operator Footboard Kit fits all 2002 and later FL Touring model motorcycles. It is a direct replacement for the standard equipment operator footboards.

Proper installation of this kit also requires installing your current pad or a **new** footboard pad (sold separately) to each footboard. Refer to the appropriate Parts Catalog for a stock replacement rubber pad or see the current Harley-Davidson Genuine Motor Accessories and Parts catalog for a selection of operator and passenger footboard inserts.

This kit contains the following items:

| QTY | DESCRIPTION       | PART NO. |
|-----|-------------------|----------|
| 1   | Footboard (right) | 50410-04 |
| 1   | Footboard (left)  | 50411-04 |

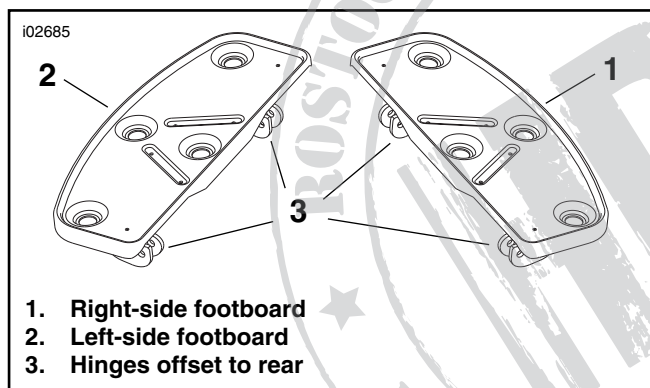


Figure 1. Ergonomic Operator Footboards

### Installation

#### Original Footboard Removal

##### NOTE

If **new** rubber pad inserts are being installed, begin with Step 2.

1. Tilt the operator footboard upward. From the bottom of the footboard, use a large flat blade screwdriver to push the four rubber beads on the pad up through the holes in the footboard.
2. Remove and retain the nuts from the pivot bolts at the underside of the footboard.
3. Remove the pivot bolts to release the footboard from the brackets. Retain the bolts for re-installation.

#### Ergonomic Footboard Installation

##### NOTE

The **new** footboards are side-specific, and are designed to be mounted with the hinges offset to the rear, which places the footpads forward of the standard location.

4. See Figure 1. Select the correct footboard from the kit. Place the footboard into position between the brackets, and install the pivot bolts from the outboard sides of the hinges.
5. Install the nuts onto the pivot bolts, and alternately tighten to 84-108 in-lbs (9.5-12.2 Nm).

#### Footboard Insert Installation

6. Apply liquid dishwashing soap to the rubber beads on the footboard insert.
7. With the footboard in the "up" position, place the insert into position on the footboard pan, and hold it firmly in place.
8. From the underside of the footboard, use a pliers to pull each rubber isolator into its mating hole in the footboard pan until the thick collar emerges.
9. Repeat the above steps for the remaining footboard and insert.

##### NOTE

Avoid the contact of chrome surfaces with abrasive materials (stones, sand, etc.) as damage will result.