



INSTRUCTIONS

-J03186

REV. 2006-01-31

PASSENGER FOOTBOARD SUPPORT KIT

GENERAL

Kit Number

50400-05, 50399-05

Models

Kit Number 50400-05 is designed for installation on 2005 and later FLSTN model motorcycles.

Kit Number 50399-05 is designed for installation on 2000 and later FLSTF, and FXSTD model motorcycles.

Kit Contents

See Figure 1 and Table 1.

INSTALLATION

Left Side Footboard

1. Remove existing footpeg and attaching hardware. Remove chrome swing arm pivot covers, if so equipped. Do not remove tool box, if so equipped.

NOTE

Some paint removal from counter bore holes of footboard support may be necessary to ease installation of the pivot pins.

2. Install footboard mounts as follows:

- a. Position footboard mount (5) and insert socket head capscrew (8) through part and into footpeg mounting hole.
- b. Position semi-circular cut-out in mount extending from side of mount around nut of swing arm pivot bolt.
- c. Tighten footboard mounting screw (8) to 45-50 lbs. (61-67.8 N-m).

3. Position footboard support (3) on mounting stud so that bolt hole aligns with machined groove in stud.

4. Insert screw (9) through left side in split hub of footboard support (3). Thread into tapped hole (right side) of split hub.

5. Tighten screw (9) to torque of 120 **in-lbs** (13.5 Nm).

Right Side Footboard

1. Remove existing footpeg and footpeg mount.
2. See Figure 1. Position footboard mount (6) onto muffler support bracket.
3. Secure mount with screw (7) tightening to 35-45 ft-lbs (47-61 Nm).



SERVICE PARTS

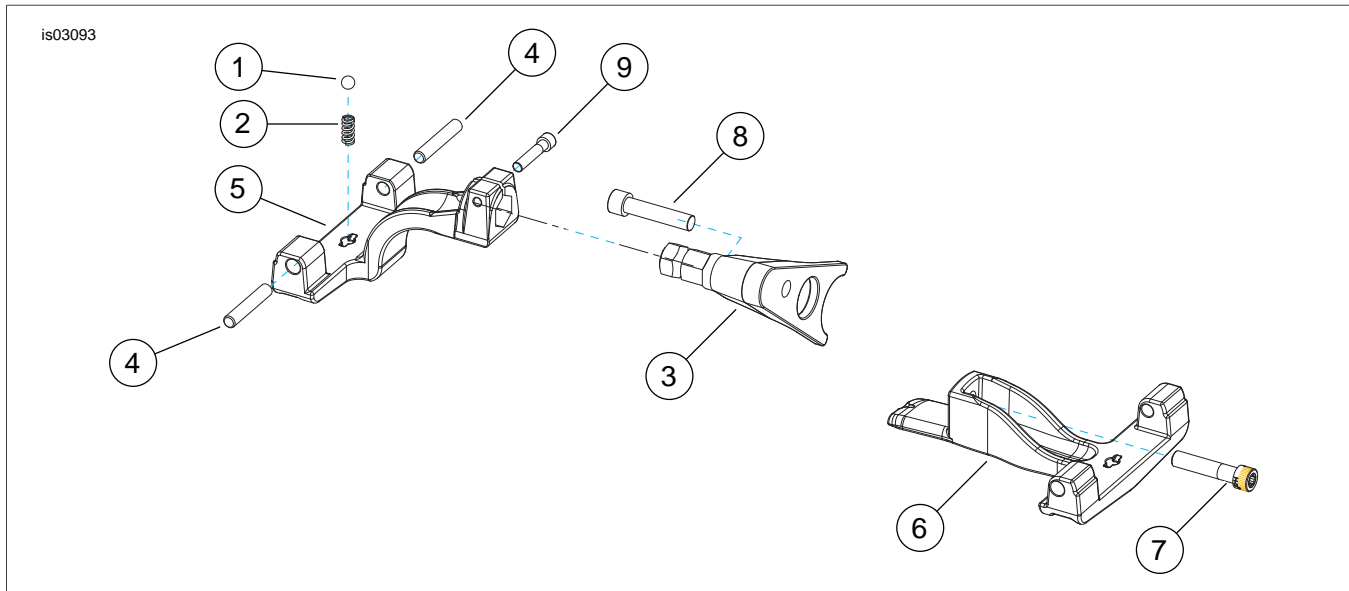


Figure 1. Service Parts: Passenger Footboard Support Kits

Table 1. Service Parts: Passenger Footboard Support Kit

Kit 50400-05			Kit 50399-05		
Item	Description (Quantity)	Part Number	Item	Description (Quantity)	Part Number
1	Steel ball (2)	8860	1	Steel ball (2)	8860
2	Spring (2)	33085-74	2	Spring (2)	33085-74
3	Left hand footboard mount	50483-00	3	Left hand footboard mount	50483-00
4	Pivot pin (4)	50933-86	4	Pivot pin (4)	50933-86
5	Support footboard	52713-95A	5	Support footboard	52713-95A
6	Right hand footboard support	50403-05	6	Right hand footboard support	50402-05
7	Screw	4355B	7	Screw	4314
8	Screw	4310	8	Screw	4310
9	Screw	3601	9	Screw	3601

