



INSTRUCTIONS

-J03179

REV. 6-18-04

Kit Number 50396-05

PASSENGER FOOTBOARD KIT

General

This kit fits 1986 and later Touring models and Softail models equipped with footboard supports. Softail Footboard Supports are available (depending on motorcycle model) as support kits part numbers 50399-05 or 50400-05 or as footboard kits part numbers 50602-00, 50602-89B, 50955-00, 50955-97A, and 52715-04.

See the Service Parts illustration for kit contents.

WARNING

The rider's safety depends upon the correct installation of this kit. Use the appropriate service manual procedures. If the procedure is not within your capabilities or you do not have the correct tools, have a Harley-Davidson dealer perform the installation. Improper installation of this kit could result in death or serious injury. (00333a)

NOTE

A Service Manual for your motorcycle is available at your Harley-Davidson Dealer.

Installation

1. Install footboard supports if not currently installed.
2. See the Parts Illustration. Place footboard pad (1) on footrest (3) and thread the insert mounting pins (4).

NOTE

The footboards are side-specific. Install footboards with the Bar-and Shield logo toward the front.

3. Tighten mounting pins to 60-8- **in-lbs** (6.8-9.0 Nm).
4. See Figure 1. Obtain spring and ball from footboard support kit. Place spring into retaining hole (2) in footboard support (3). Rest ball on top of spring.
5. Position footrest (5) onto footboard support bracket (3), while being careful not to unseat steel ball.
6. Tighten pins to 12-15 ft-lbs (16.3-20 Nm).

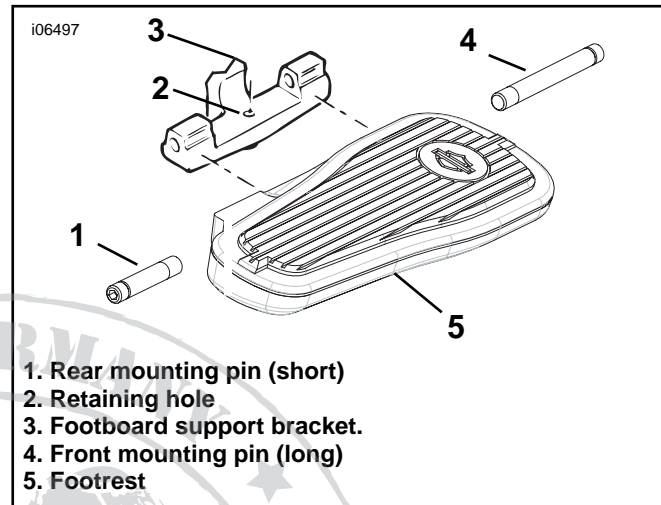


Figure 1. Footboard Support and Footrest

7. Press down on footrest so holes align. Insert footboard mounting pins (1, 4) through footrest and through the two mounting lugs on footboard support. Check to be certain ball is seated in detent at underside of footrest.
8. Repeat for other side.



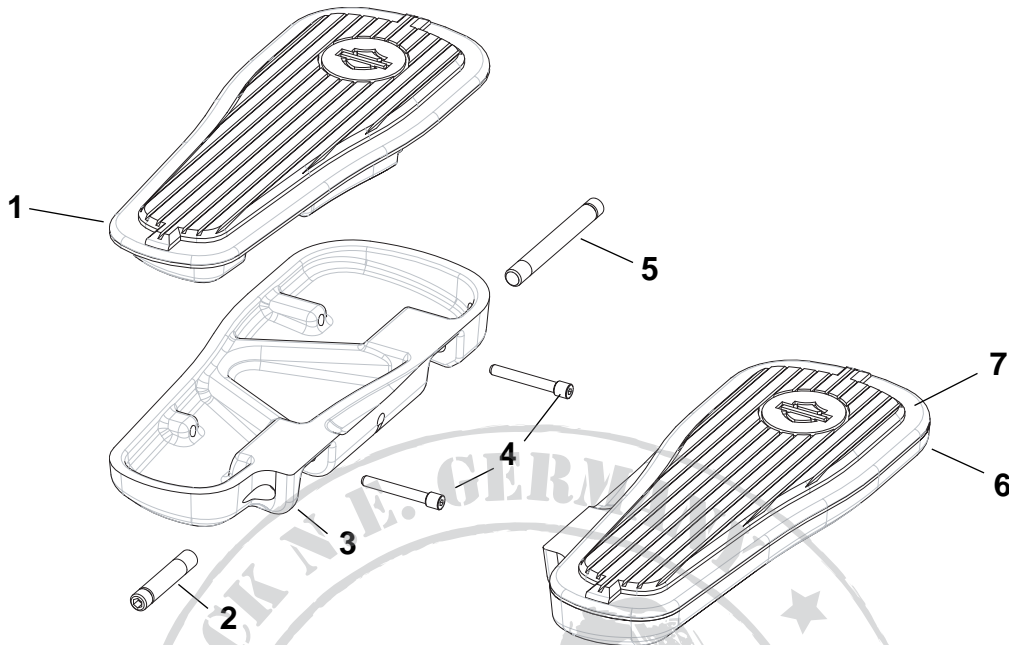
Service Parts

Part No. 50396-05

Date 06/04

Passenger Footboard Kit

i06494



Item	Description (Quantity)	Part No.	Item	Description (Quantity)	Part No.
1	Passenger footboard insert ass., left	50391-05	5	Footboard mounting pin (2)	42723-05
2	Footboard mounting pin (2)	42719-05	6	Passenger footboard housing, right	50397-05
3	Passenger footboard housing, left	50398-05	7	Passenger footboard insert ass., right	50390-05
4	Insert mounting pin (4)	50395-05			