



INSTRUCTIONS

-J04897

2011-05-27

CHOPPED FENDER LUGGAGE RACK

GENERAL

Kit Numbers

54250-10 (black)

50300040 (chrome)

Models

For model fitment information, see the P&A Retail Catalog or the Parts and Accessories section of www.harley-davidson.com (English only).

Required Additional Parts

If installing a detachable accessory, separate purchase of two Docking Points (53686-96A) are required for proper installation of this kit. See a Harley-Davidson dealer.

Separate purchase of LOCTITE® 243 Threadlocker and Sealant - Blue (99642-97) is required for proper installation of this kit. See a Harley-Davidson dealer.

▲ WARNING

The rider's safety depends upon the correct installation of this kit. If the procedure is not within your capabilities or you do not have the correct tools, have a Harley-Davidson dealer perform the installation. Improper installation of this kit could result in death or serious injury. (00308a)

▲ WARNING

Do not exceed luggage rack weight capacity. Too much weight can cause loss of control, which could result in death or serious injury. (00373a)

NOTE

Maximum luggage rack weight capacity is 4.5 kg (10 lb).

Kit Contents

See Figure 2 and Table 1.

REMOVAL

1. See Figure 1. Remove stock hardware from the fender mounting hole (1).
2. Remove and discard the stock fender support screws (2).

INSTALLATION

1. See Figure 1. Remove the adhesive backing from the protective tape (3). Align and install the tape on the fender around the fender mounting hole (1).

NOTE

If installing a passenger pillion, do not install washer (10).

2. Loosely install fender support screws (8), washers (7), luggage rack (6) and washer (5).
3. Position the spacer (4) over the protective tape and align with the mounting hole. Install with the concave side of the spacer against the fender. Install washer (10) and alignment spacer (11). Be sure the alignment spacer is aligned with the ID of the spacer (4) and washer (10).
4. Apply Loctite 243 to threads of mounting screw (12).

NOTE

If the rack is being installed with a detachable docking point kit, replace washer (7) and bolt (8) with two docking points (53686-96A - purchased separately) and the bolt from the detachable docking point kit.

5. Position the seat tab retainer (9) under the fender and above the fender bracket (14) and install the luggage rack mounting bolt (12) and flat washer (13) through the rack, alignment spacer (11), washer (10), spacer (4), fender mounting hole (1), seat tab retainer (9) and into fender bracket (14). Tighten the bolt to 16.3 N·m (144 in-lbs).
6. Apply Loctite 243 to threads of mounting screw (8). Install fender support screws (8), washers (7), luggage rack (6) and washer (5). Tighten to 20 N·m (15 ft-lbs).

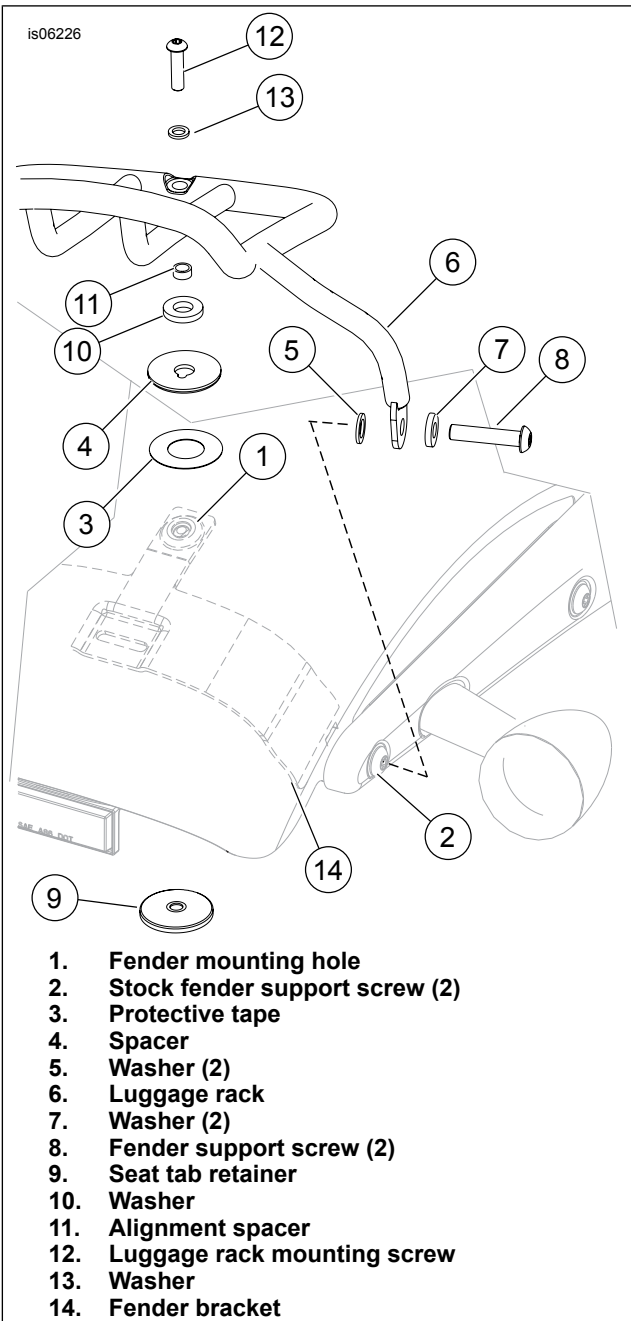


Figure 1. Install Chopped Fender Luggage Rack

Table 1. Service Parts

Item	Description (Quantity)	Part Number
1	Luggage rack	Not Sold Separately
2	Cap screw, 5/16-18 x 1.50 inch	3140
3	Spacer	5840
4	Washer	6101
5	Washer, 0.125 inch thick (2)	6109
6	Washer, 0.60 inch thick (2)	6874
7	Spacer (included in kit 91800009)	Not Sold Separately
8	Retainer, seat tab (included in kit 91800009)	Not Sold Separately
9	Tape, protective (included in kit 91800009)	Not Sold Separately
10	Screw	94595-98
11	Washer, 0.134 inch thick	6397B
12	Service Kit	91800009

SERVICE PARTS

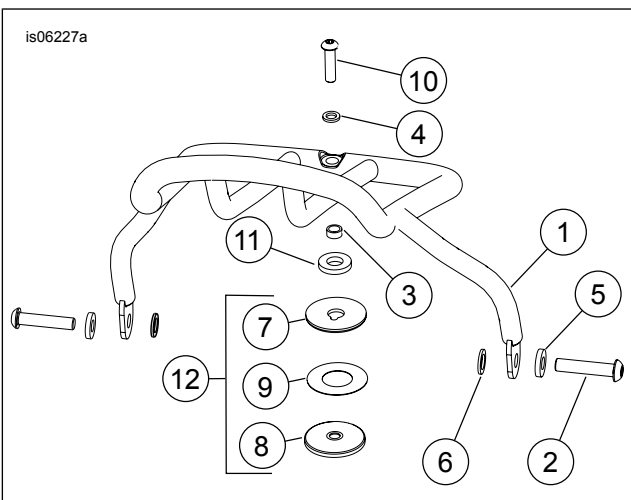


Figure 2. Service Parts: Chopped Fender Luggage Rack