



# INSTRUCTIONS

-J03574

2011-02-04

## BOBTAIL FENDER RACK

### GENERAL

#### Kit Number

56802-06A, 50300036

#### Models

For model fitment information, see the P&A Retail Catalog or the Parts and Accessories section of [www.harley-davidson.com](http://www.harley-davidson.com) (English only).

#### Kit Contents

See Figure 3 and Table 1.

#### Additional Parts Required

This kit requires the use of Loctite® 243 Threadlocker and Sealant - Blue (99642-97), which is available from a Harley-Davidson dealer.

### INSTALLATION

#### Prepare the Motorcycle

##### ▲ WARNING

The rider's safety depends upon the correct installation of this kit. If the procedure is not within your capabilities or you do not have the correct tools, have a Harley-Davidson dealer perform the installation. Improper installation of this kit could result in death or serious injury. (00308a)

##### NOTE

Cover fender with clean shop towels to prevent scratching of the fender.

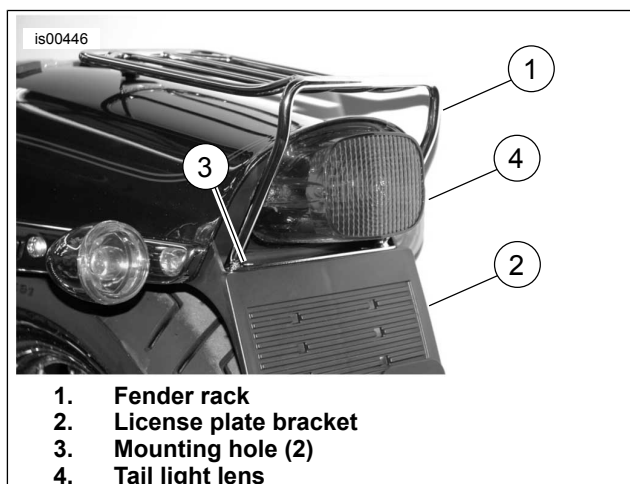
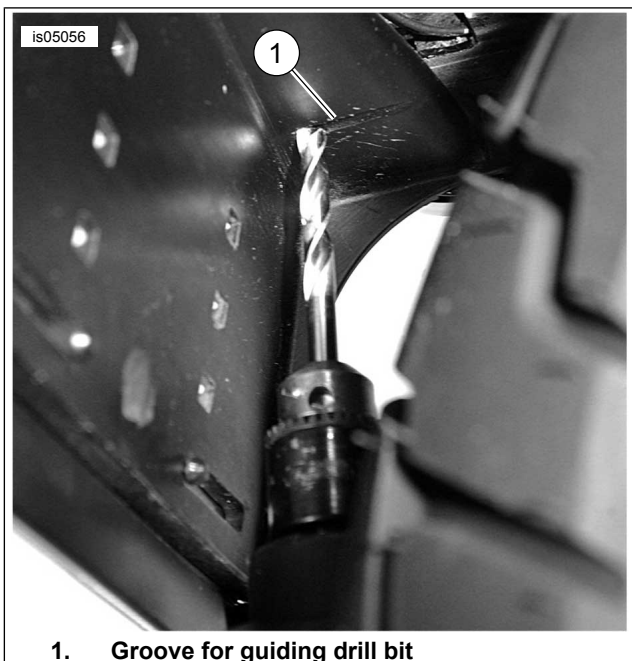


Figure 1. Bobtail Fender Rack

#### 1. Vehicle equipped with an accessory seat:

- If a two-up seat is installed, remove the seat (method will vary depending on seat style). Remove the seat retention nut and retainer from the rear fender and discard.
  - If a solo seat is installed, remove the plug, or the seat retention nut and retainer in the top of the rear fender if they are present, and discard.
2. If the vehicle is equipped with a stock seat, refer to the owner's manual to remove it and discard all the seat fastening hardware including the seat tab retainer and clip.
  3. **2006 - 2007 Models:** See Figure 1. Remove two screws from tail light lens (4) and remove lens to prevent any damage to the lens when drilling the fender rack mounting holes.
  4. Place the fender rack into position as follows:
    - a. Hold the rack portion vertical and slide the rear mounting base onto the flat license plate bracket.
    - b. Tilt the rack forward until the front mounting tab is centered over the seat retention nut hole.
    - c. Center rear mounting base on license plate bracket.
  5. Mark the position of the two rack mounting holes (3) on the license bracket.
  6. Remove the fender rack and drill two small pilot holes in the marked locations.
  7. From the underside of the license plate bracket, enlarge the two holes to 5/16 inch diameter.
  8. Proceed to "Install Fender Rack - All Models" section.



1. Groove for guiding drill bit

Figure 2. Tail Light / License Plate Bracket

1. **2008 and later models:** See Figure 1. Remove two screws from tail light (4) lens and remove lens to prevent any damage to the lens when drilling the fender rack mounting holes.
2. See Figure 2. From the underside of the license plate bracket use a 5/16 inch drill bit to drill the fender rack mounting holes at the rearward end of the grooves (1) on the underside of the license plate bracket.

## Install Fender Rack - All Models

### NOTE

If installing with a solo seat, washer (4) will be used in place of seat tab (c).

1. See Figure 3 and Table 1. Remove the adhesive backing from protective tape (8). Align and install the tape on the fender around the fender mounting hole.
2. Position the seat tab spacer (7) over the protective tape and align with the mounting hole. Install with the concave side of the seat tab spacer against the fender. Place seat tab (c) over seat tab spacer.

3. Position the luggage rack on the license plate bracket.

### NOTE

The seat tab retainer (9) does not use the stock clip to hold it in place. You may want to use tape on the underside of the fender to hold it in position.

4. Lower front mounting tab of rack over the seat tab (c).
5. Reach from the rear and insert the seat tab retainer (9) into the hole in the fender from the underside, lining up the tab with the notch in the fender hole.
6. Apply Blue Loctite to chrome socket head screw (10). Insert screw (10) through the chrome washer (2), the rack front tab, the seat tab, the seat tab spacer and fender. Thread the screw into the retainer, but do not tighten.
7. Apply Blue Loctite to two button head screws (6). Insert screws through rear rack mounting holes and the holes in the license plate bracket. Position the flat washers (3) and nuts (5) onto the screws from the underside, and tighten to 2 N·m (14 in-lbs).
8. Secure the rack to the seat tab retainer (9) with the socket head screw (10). Tighten to 16.3 N·m (12 ft-lbs).
9. Install tail light lens with two screws.
10. Remove the protective shop towels.

### ⚠ WARNING

**Do not exceed luggage rack weight capacity. Too much weight can cause loss of control, which could result in death or serious injury. (00373a)**

### NOTE

Maximum luggage rack weight capacity is ten pounds (4.5 Kg).

### NOTE

When mounting bolts (6 and 10) are removed in the future, the threads must be cleaned and Loctite 243 applied to bolt threads before being installed and tightened to specified torque.

# SERVICE PARTS

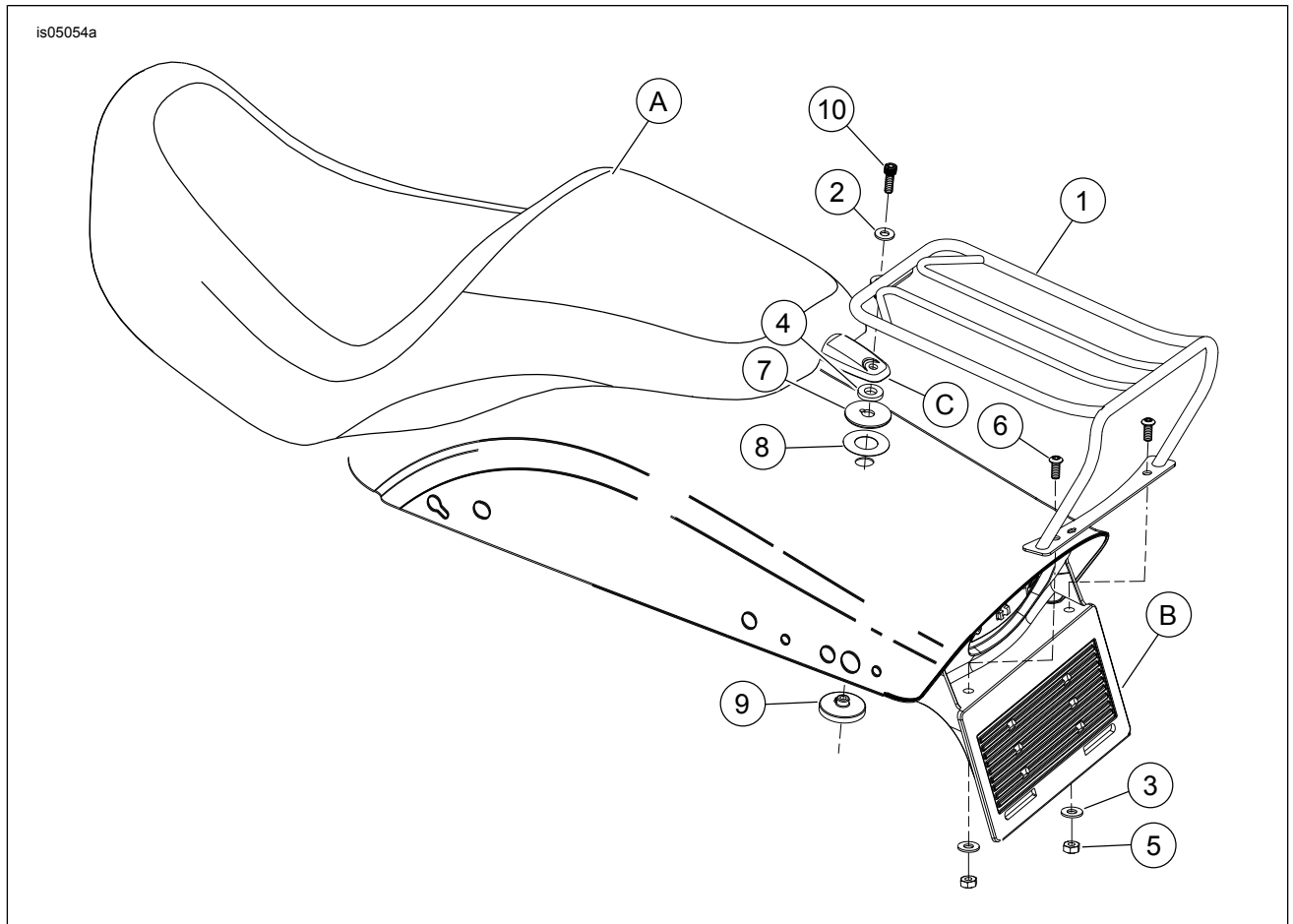


Figure 3. Service Parts: Bobtail Fender Rack

Table 1.

Item	Description (Quantity)	Part Number
1	Bobtail fender rack	Not Sold Separately
2	Washer, plain	6339
3	Washer, plain (2)	6703
4	Washer (solo seats only)	6397B
5	Nut, hex (2)	7688
6	Screw, button head (2)	94385-92T
7	Spacer, seat tab (included in Kit 59787-03)	Not Sold Separately
8	Tape, protective (included in Kit 59787-03)	Not Sold Separately
9	Retainer, seat tab (included in Kit 59787-03)	Not Sold Separately
10	Screw, socket head	94312-91T
11	Service kit (not shown, includes items 7, 8 and 9)	59787-03
<b>Items mentioned in text, but not included in kit:</b>		
A	Seat (FXDF seat shown)	
B	Tail light / license plate bracket	
C	Seat tab	