



# INSTRUCTIONS

-J05373

REV. 2011-03-12

## VRSCDX LUGGAGE RACK AND BACKREST

### GENERAL

#### Kit Number

50300028, 52300016

#### Models

For model fitment information, see the P&A Retail Catalog or the Parts and Accessories section of [www.harley-davidson.com](http://www.harley-davidson.com) (English only).

#### Additional Parts Required

If the backrest is being installed after previous luggage rack installation, Harley-Davidson recommends the purchase of hardware service kit (Part No. 91800028) to replace existing luggage rack hardware. If the hardware service kit is not purchased, then proper installation requires the use of Loctite® 243 Threadlocker and Sealant - Blue (Part No. 99642-97).

### WARNING

The rider's safety depends upon the correct installation of this kit. Use the appropriate service manual procedures. If the procedure is not within your capabilities or you do not have the correct tools, have a Harley-Davidson dealer perform the installation. Improper installation of this kit could result in death or serious injury. (00333a)

#### NOTE

This instruction sheet references service manual information. A service manual for your model motorcycle is required for this installation and is available from a Harley-Davidson dealer.

#### Kit Contents

See Figure 5 and Table 1.

### INSTALLATION

#### Prepare Fender Cover

### WARNING

To prevent accidental vehicle start-up, which could cause death or serious injury, remove main fuse before proceeding. (00251b)

1. See the owner's manual and remove the main fuse.
2. See the service manual and remove the rear fender cover.
3. See Figure 1. Place masking tape over the three drill points to prevent the paint from chipping when the holes are drilled.
4. See Figure 2. Turn the fender cover over and place it on a clean, soft cloth on a bench.

### CAUTION

Always wear proper eye protection when drilling or grinding. Flying debris could cause serious eye injury. (00402e)

5. Drill three pilot holes through the three mounting points using a 3.5 mm (1/8 in) drill bit.
6. Turn the fender cover over and drill three 6.25 mm (1/4 in) holes in the pilot hole locations. The holes will not be perpendicular to the work surface. Be careful to follow the path of the pilot holes, so the kit will align properly.
7. Remove tape.



Figure 1. Apply Masking Tape to Outer Fender

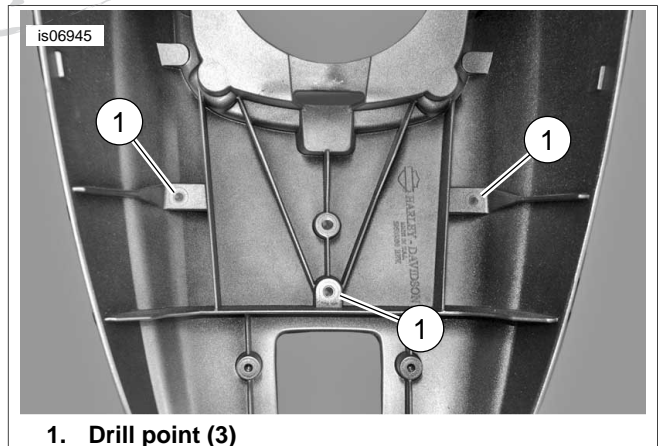


Figure 2. Outer Fender Drill Points

## Install Luggage Rack Only

### NOTE

Only loosely install hardware, when installing the base plate and luggage rack to the fender. The hardware will be tightened at the end of the procedure.

1. Set the luggage rack upside down on the edge of a workbench.
2. See Figure 3. Install the base plate (2) over the luggage rack (1).
3. See Figure 5. To align the components, start the forward two screws (12) through the base plate and luggage rack just enough for the screw threads to engage.
4. Install screw (10) through the base plate and luggage rack. Tighten screw to 9 Nm (80 **in-lbs**).
5. Remove two screws (12).
6. Install the fender cover over the luggage rack assembly and align the drilled holes in the cover with the mounting holes in the base plate.
7. Install three screws (12) and washers (11) as follows:
  - a. Start the two forward mounting screws.
  - b. Start the rear, center mounting screw. If the hole does not align properly, use a drill to enlarge the hole slightly and improve alignment.
  - c. Tighten screws to 9 Nm (80 **in-lbs**).
8. See the service manual and install the fender cover with the mounted backrest and luggage rack assembly.
9. See the owners manual and install the main fuse.

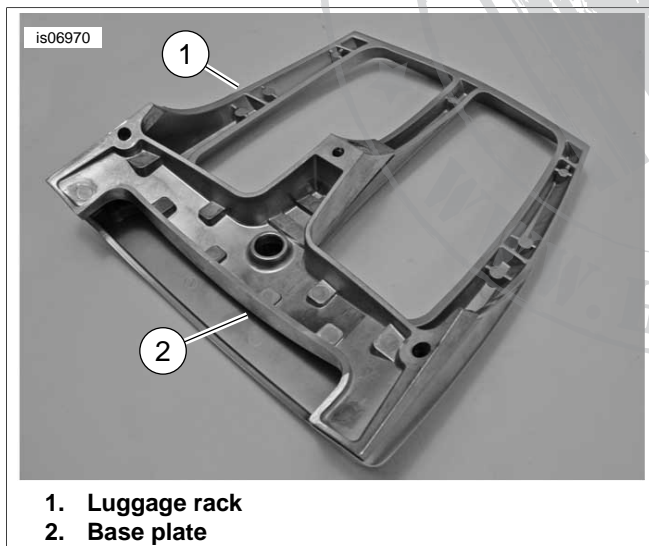


Figure 3. Luggage Rack Only Installation

## Install Backrest and Luggage Rack

### NOTES

If installing the backrest after previously installing the luggage rack only, remove the fender cover, luggage rack and base plate from the motorcycle. Follow the directions below for installing the kit. Separate purchase and installation of the hardware service kit (Part No. 91800028) is recommended. If the hardware will not be replaced, then clean screws (items

10 and 12, Figure 5) and use Loctite 243 - blue for re-installation.

Only loosely install hardware, when installing the base plate, backrest and luggage rack to the fender. The hardware will be tightened at the end of the procedure.

1. Set the luggage rack upside down on the edge of a workbench.

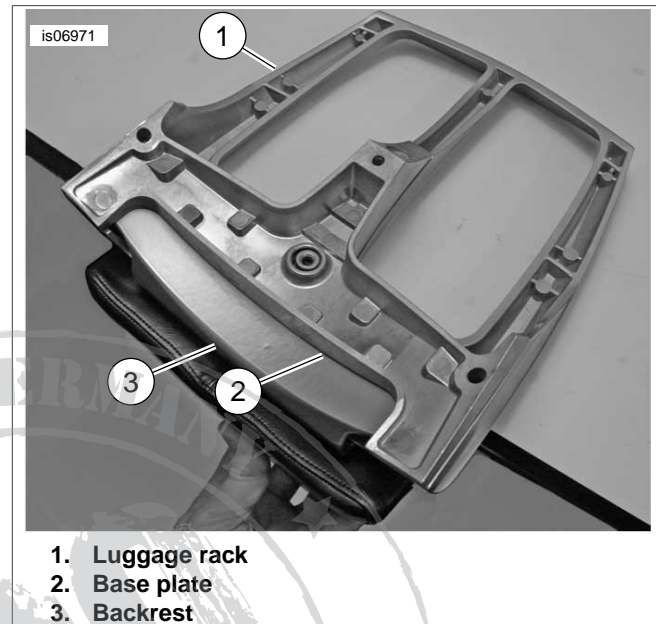


Figure 4. Luggage Rack and Backrest Installation

2. See Figure 4. Orient the backrest (3) so that the outer mounting holes of the backrest align with the mounting holes of the luggage rack (1).
3. Install the base plate (2) over the backrest and luggage rack.
4. See Figure 5. Start screw (3) and washer (2).
5. To align the components, start the forward two screws (12) through the base plate and luggage rack just enough for the screw threads to engage.
6. Start screw (10) through the base, backrest and luggage rack.
7. Tighten screw (3) to 12 Nm (106 **in-lbs**).
8. Tighten screw (10) to 9 Nm (80 **in-lbs**).
9. Remove two screws (12).
10. Install the fender cover over the backrest and luggage rack assembly and align the drilled holes in the cover with the mounting holes in the base plate.
11. Install three screws (12) and washers (11) as follows:
  - a. Start the two forward mounting screws.
  - b. Start the rear, center mounting screw. If the hole does not align properly, use a drill to enlarge the hole slightly and improve alignment.
  - c. Tighten screws to 9 Nm (80 **in-lbs**).
12. See the service manual and install the fender cover with the mounted backrest and luggage rack assembly.

13. See the owners manual and install the main fuse.

## SERVICE PARTS

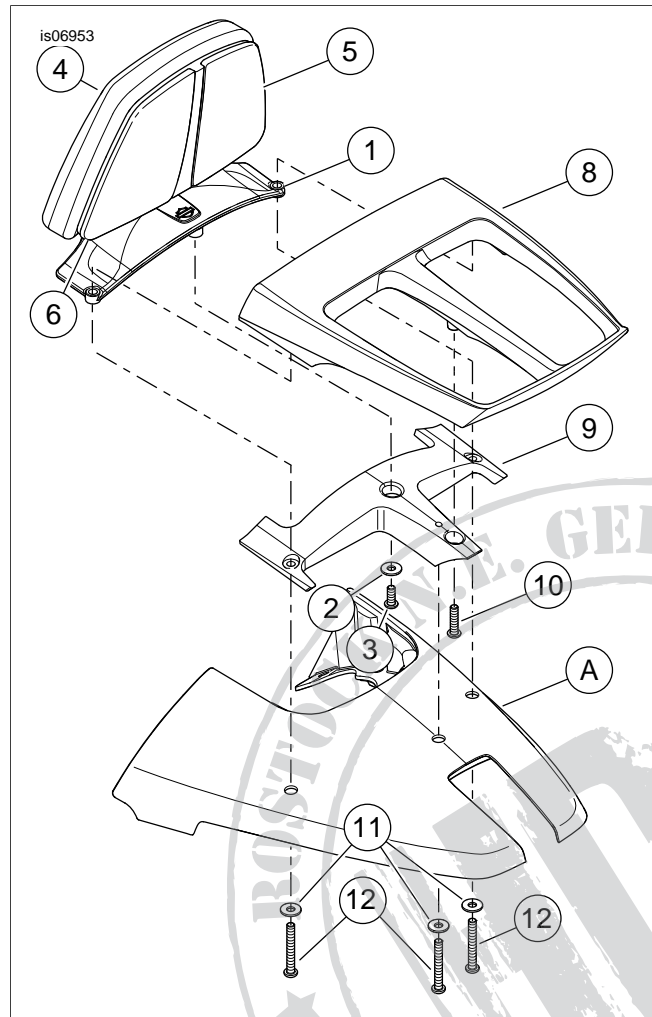


Figure 5. Service Parts: VRSCDX Luggage Rack and Upright

Table 1. Service Parts

Item	Description (Quantity)	Part Number
	<b>Backrest kit</b> (includes items 1 through 7)	52300016
1	• Backrest	Not Sold Separately
2	• Washer	Not Sold Separately
3	• Screw, M6 x 1.0 x 10 mm	Not Sold Separately
4	• Pad, front	52300062
5	• Pad, rear, right	52300063
6	• Pad, rear, left	52300064
7	• Screw, stainless, M4 x 0.7 (4) (Not Shown)	Not Sold Separately
	<b>Luggage rack kit</b> (includes items 8 through 12)	50300028
8	• Luggage rack	53319-09
9	• Base plate	Not Sold Separately
10	• Screw, M6 x 1.0 x 25 mm	Not Sold Separately
11	• Washer, M6 (3)	Not Sold Separately
12	• Screw, M6 x 1.0 x 45 mm (3)	Not Sold Separately
	<b>Service hardware kit</b> (includes items 10, 11 and 12)	91800028
<b>Items mentioned in text, but not included in kit.</b>		
A	Fender cover	