



INSTRUCTIONS

-J04382

REV. 2009-07-29

TRIBAL RIDER AND PASSENGER FOOTBOARD INSERTS

GENERAL

Kit Number

50269-09, 50535-09

Models

For model fitment information, see the P&A Retail Catalog or the Parts and Accessories section of www.harley-davidson.com (English only).

Kit Contents

See Figure 1 and Table 1.

RIDER FOOTBOARD REMOVAL

1. Apply liquid dishwashing soap to the footboard insert rubber beads protruding through the bottom of the footboard assembly (1).
2. With the operator footboard in the "up" position, use a screwdriver to work the rubber footboard beads out through the top of the footboard.

RIDER FOOTBOARD INSTALLATION

Footboard Insert Assembly

NOTE

Use this procedure to replace the entire footboard insert assembly.

1. Apply liquid dishwashing soap to the rubber beads on the new footboard insert assembly.
2. Position the footboard insert assembly in place on the footboard. Use a pliers to pull each rubber bead into its footboard hole until the beads protrude through the footboard.
3. Repeat the above steps for the remaining footboard insert assembly.

NOTE

Avoid the contact of surfaces with abrasive materials (stones, sand, etc.) as damage will result.

PASSENGER FOOTBOARD REMOVAL

1. If installed, remove the underside footboard covers.
2. With the passenger footboard in the down position, slightly raise an outside corner of the stock rubber insert off the footboard with a flat-blade screwdriver.
3. From underneath the footboard, push the nipple through the hole with a second flat-blade screwdriver.
4. Carefully slide the first screwdriver under the insert to the other front "corner". Repeat Steps 2 and 3.
5. Pry up the inboard insert corners with the screwdriver and remove the old insert.

PASSENGER FOOTBOARD INSTALLATION

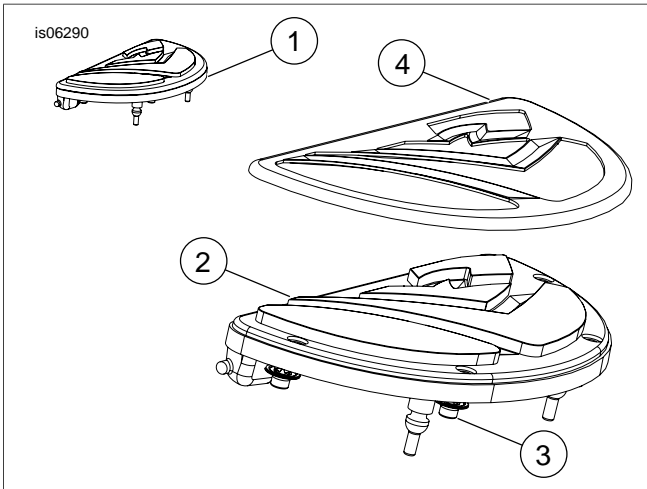
1. Center the two footboard pivot pins.
2. Moisten the rubber beads, dowels and pivot pin holes on the new footboard insert with soapy water to ease installation.
3. Place the insert into the footboard with the two extended rubber beads over the holes. Firmly grasp the hinge side of the footboard and insert with both hands. Insert the dowels into the footboard.
4. Pull the extended bead ends through the holes to properly seat them. Cut off the rubber "pull end" on the tip of each bead. Attach the underside footboard cover, if equipped.
5. Repeat all procedures for the other side.

NOTE

Avoid the contact of surfaces with abrasive materials (stones, sand, etc.) as damage will result.

SERVICE PARTS

Table 1. Service Parts: Tribal Rider and Passenger Footboards



Item	Description (Quantity)	Part Number
1	Footboard assembly, rider or passenger (2)	Not Sold Separately
2	Footboard, rubber insert (2)	Not Sold Separately
3	Pushnut, cap type (6)	Not Sold Separately
4	Footboard, cover (2)	Not Sold Separately

Figure 1. Tribal Footboard Insert

