



INSTRUCTIONS

-J03222

REV. 11-18-2004

Kit Number 50130-95A and 50131-95A

CHROME AND RUBBER FOOTPEGS

General

This footpeg kit is designed for installation on all Harley-Davidson models equipped with "male mount" style footpeg supports, as highway or passenger pegs only.

See the Service Parts illustration for kit contents.

Installation

1. Remove the locknuts and screws that hold the existing footpegs in place. Save all hardware for installation of the new footpegs.
2. Remove the existing footpegs along with the spring washers. Save the spring washers for later installation.

NOTE

When performing Step 3, make sure the spring washer is positioned inside of the footpeg support with the square edge towards the inside of the support as shown in Figure 1.

3. Install the new footpegs in the same manner as the old footpegs were installed. Place a spring washer, along with the mount end of the footpeg, inside the slots of the footpeg supports.
4. Secure each footpeg and spring washer with the screw and locknut removed earlier. Tighten the locknuts to 19 ft-lbs (26 Nm).

5. See the Service Parts illustration. For each footpeg, insert the adjusting screw (8) in the recessed hole and begin to thread the screw. Position the footpeg as desired, then tighten the adjusting screw to 21 ft-lbs (29 Nm).

WARNING

Footrests must fold up and toward rear of motorcycle if struck. Failure to set footrests to fold up and back could result in death or serious injury. (00366a)

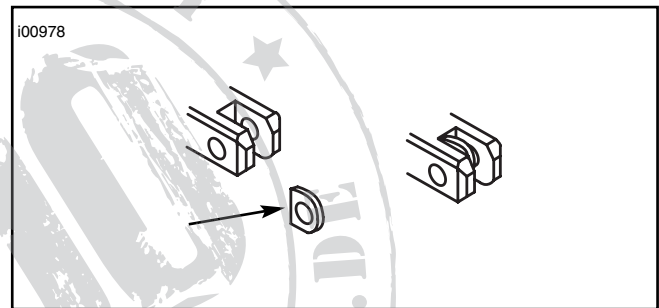


Figure 1. Footpeg Spring Washer Installation

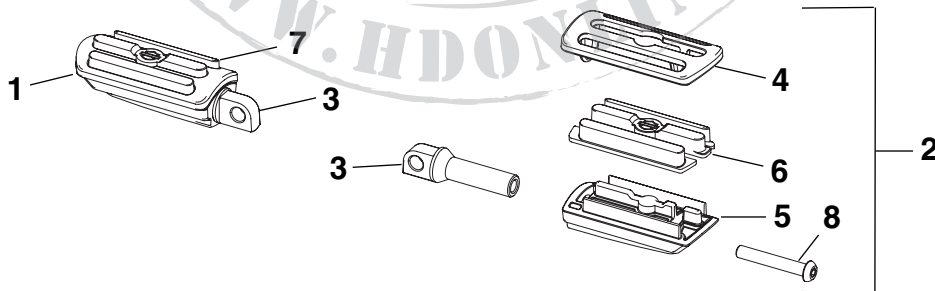


Service Parts

Part No. See list above | Date 11/04

Chrome and Rubber Footpegs

i06981



3-Slot Footpeg Kit, Small (50131-95A) :

Item	Description (Qty)	Part No.
1	Footpeg assembly (left)	50162-04
2	Footpeg assembly (right)	50163-04
3	Mount, footpeg (2)	50135-95
4	Footpeg top, 3-slot	Not Sold Separately
5	Footpeg bottom, 3-slot	Not Sold Separately
6	Tread, Footpeg, right	50741-04
7	Tread, Footpeg, left	50742-04
8	Screw	4524

3-Slot Footpeg, Large (50130-95A)

Item	Description (Qty)	Part No.
1	Footpeg assembly (left)	50143-04
2	Footpeg assembly (right)	50144-04
3	Mount, footpeg (2)	50135-95
4	Footpeg top, 3-slot	Not Sold Separately
5	Footpeg bottom, 3-slot	Not Sold Separately
6	Tread, Footpeg, left	50738-04
7	Tread, Footpeg, right	50737-04
8	Screw	4523