



INSTRUCTIONS

-J04555

REV. 2008-05-15

NOSTALGIC RIDER FOOTBOARD INSERT

GENERAL

Kit Number

50051-09

Models

For model fitment information, please see the P&A Retail Catalog or the Parts and Accessories section of www.harley-davidson.com (English only).

Kit Contents

See Figure 1 and Table 1.

REMOVAL

1. Apply liquid dishwashing soap to the footboard insert rubber beads (2) protruding through the bottom of the footboard assembly.
2. With the operator footboard in the "up" position, use a screwdriver to work the rubber footboard beads out through the top of the footboard.

INSTALLATION

Footboard Insert Assembly

NOTE

Use this procedure to replace the entire footboard insert assembly.

1. Apply liquid dishwashing soap to the rubber beads on the new footboard insert assembly (1).
2. Position the footboard insert assembly in place on the footboard. Use a pliers to pull each rubber bead into its footboard hole until the beads protrude through the footboard.
3. Repeat the above steps for the remaining footboard insert assembly.

NOTE

Avoid the contact of chrome surfaces with abrasive materials (stones, sand, etc.) as damage will result.

SERVICE PARTS

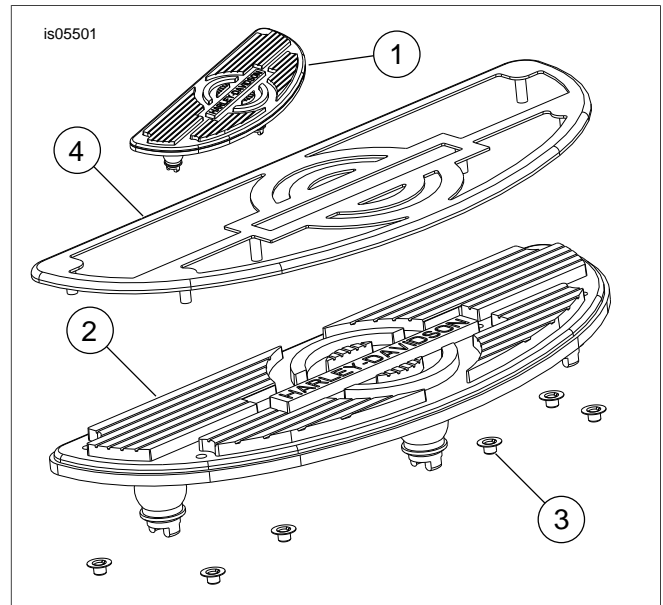


Figure 1. Service Parts: Nostalgic Rider Footboard Kit

Table 1. Service Parts Table

Item	Description (Quantity)	Part Number
1	Assembly, rider footboard insert (2)	50115-09
2	Footboard, rubber insert (2)	Not Sold Separately
3	Pushnut, cap type (6)	Not Sold Separately
4	Footboard, cover insert (2)	Not Sold Separately