



INSTRUCTIONS

-J05417

2011-05-20

JIFFY STAND EXTENSION

GENERAL

Kit Number

50000023

Models

For model fitment information, see the P&A Retail Catalog or the Parts and Accessories section of www.harley-davidson.com (English only).

⚠ WARNING

The rider's safety depends upon the correct installation of this kit. If the procedure is not within your capabilities or you do not have the correct tools, have a Harley-Davidson dealer perform the installation. Improper installation of this kit could result in death or serious injury. (00308a)

Additional Parts Required

Proper installation of this kit requires the use of Loctite® 243 Threadlocker and Sealant - Blue (99642-97).

Kit Contents

See Figure 2 and Table 1.

INSTALLATION

- See Figure 1. Align the alignment channel end (1) of the extension (item 1, Figure 2) to the end of the toe bracket (item A, Figure 2) on top of the jiffy stand. Mark the center of the hole location on the toe bracket.

⚠ WARNING

Wear safety glasses or goggles while drilling. Flying debris could result in serious eye injury. (00565b)

- Drill jiffy stand extension mounting hole (B) into the toe bracket of the jiffy stand as follows:
 - Use a center punch to create a drill point at the marked location.
 - Use a 3 mm (1/8 in) drill bit and drill a pilot hole at the marked location.
 - Use an 7 mm (9/32 in) drill bit to drill through the pilot hole and enlarge the hole.
 - Remove any burrs left on the drilled hole.
- See Figure 2. Apply a small amount of Loctite 243 (blue) to the threads of screw (4).

- Place extension (1) over jiffy stand toe bracket (A). Fasten extension to the toe bracket with screw (4), washer (3) and acorn nut (2) as shown. Tighten to 0.8 N·m (8 ft-lbs).

NOTE

Do not step on jiffy stand extension or it may be damaged.

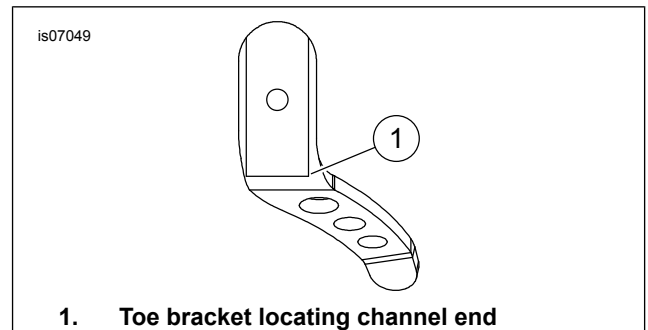


Figure 1. Toe Bracket Locating Channel

SERVICE PARTS

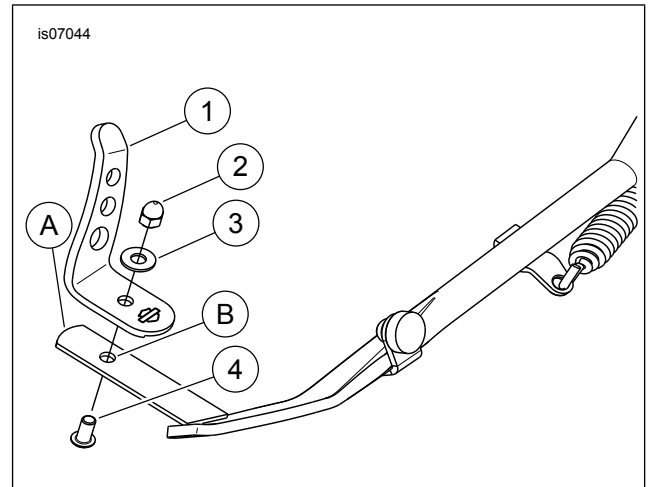


Figure 2. Service Parts: Jiffy Stand Extension

Table 1. Service Parts

Item	Description (Quantity)	Part Number
1	Jiffy stand extension	Not Sold Separately
2	Nut, acorn	94004-90T
3	Washer	94065-90T
4	Screw	94385-92T
Items mentioned in text, but not included in kit.		
A	Jiffy stand toe bracket	
B	Drilled hole, 9/32 inch (7 mm)	