



# INSTRUCTIONS

-J02161

REV. 2006-12-01

## ENGINE GUARD KIT

### GENERAL

#### Kit Number

49267-01

#### Models

For model fitment information, please see the P&A Retail Catalog or the Parts and Accessories section of [www.harley-davidson.com](http://www.harley-davidson.com) (English only).

#### Additional Parts Required

LOCTITE® Threadlocker and Sealant 271 (red) (Harley-Davidson Part Number 99671-97) is required to install this kit.

### ⚠ WARNING

The rider's safety depends upon the correct installation of this kit. Use the appropriate service manual procedures. If the procedure is not within your capabilities or you do not have the correct tools, have a Harley-Davidson dealer perform the installation. Improper installation of this kit could result in death or serious injury. (00333a)

#### NOTE

This instruction sheet references Service Manual information. A Service Manual for your model motorcycle is available from a Harley-Davidson Dealer.

#### Kit Contents

See Figure 4 and Table 1.

### INSTALLATION

### ⚠ WARNING

The front and/or rear guard(s) can provide limited leg and cosmetic vehicle protection under unique circumstances. (Fall over while stopped, very slow speed slide.) It is not made or intended to provide protection from bodily injury in a collision with another vehicle or any other object. (00022a)

1. See Figure 1. Remove the set screw (1) securing the right side foot control assembly (2) (footpeg and brake lever). Slide the assembly off (3) and away from the frame mount.
2. See Figure 4. Obtain one of two engine guard mounts (4) from kit. Slide the engine guard mount over the frame foot control mounting boss positioning the open (clamp) end of the mount towards the rear of the vehicle.
3. See Figure 2. Reinstall the foot control assembly (1). Apply LOCTITE 271 (red) to the threads of the set screw and replace the set screw guiding it through the clearance hole (2) on the mount. Tighten set screw to 11-17 Nm (8-12.5 ft-lbs). Obtain pinch screw (3) from kit and install to open

(clamp) end of engine guard mount (4). Tighten screw to 18 Nm (24.5 ft-lbs)

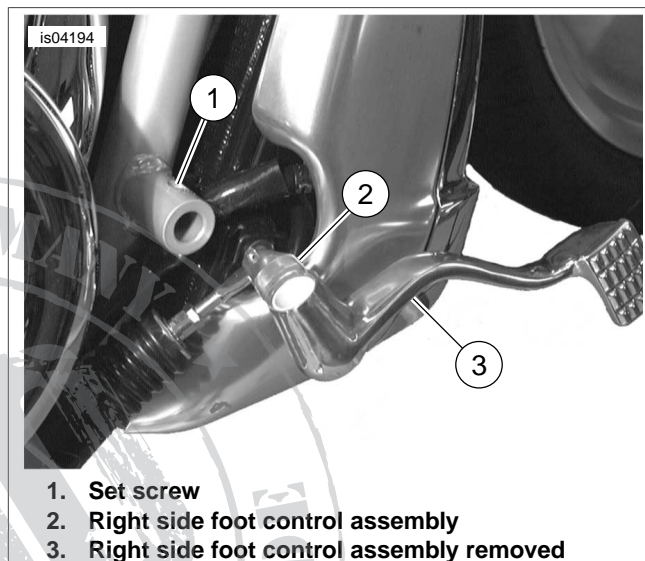


Figure 1. Remove Footpeg and Brake Pedal Assembly

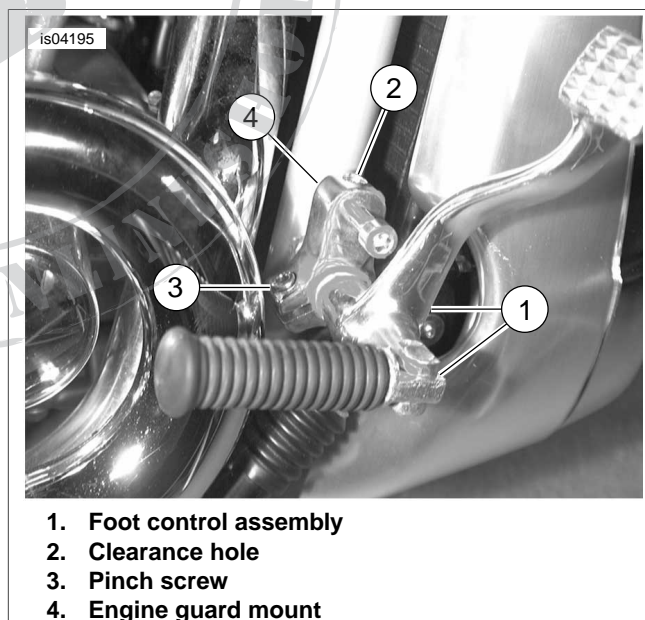
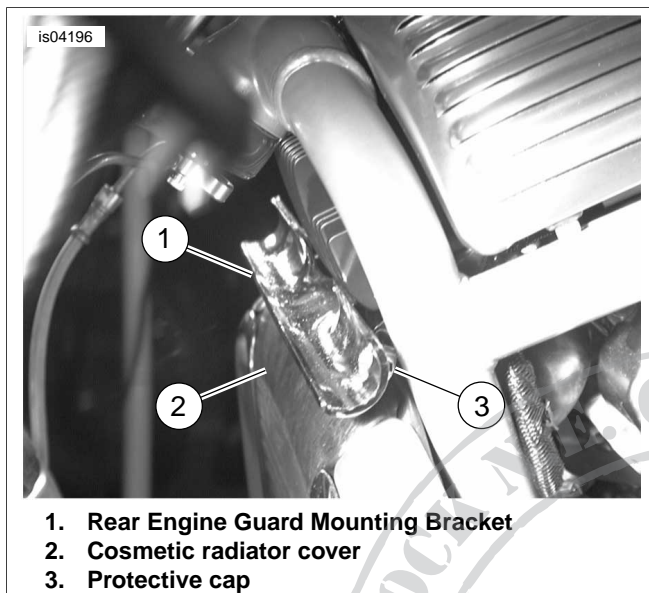


Figure 2. Install Right Side Engine Guard Mount

4. See Figure 4. Obtain rubber hole plug (13) from kit and install into clearance hole.
5. Repeat Steps 1 through 4 for the left hand side of the motorcycle.

6. See Figure 3. Follow instructions in applicable Service Manual and remove both sides of the cosmetic radiator cover (2) then remove the main cover.
7. Obtain the two protective caps (3) and rear engine guard mounting bracket (1) from kit. Install the protective caps onto the raised stubs on the backside of the engine guard mounting bracket.



**Figure 3. Upper Engine Guard Mounting Bracket**

8. See Figure 4. Using 70 mm Screw (10) from kit, secure the engine guard mounting bracket to the frame as shown making sure the formed half-cylinder of the bracket is

parallel to the ground. Tighten the screw to 38 Nm (28 ft-lbs).

9. Follow instructions in Service Manual and reinstall the two cosmetic radiator covers. Also reinstall the main cosmetic radiator cover.
10. Obtain the left (8) and right (7) engine guards and protective plugs (3) from kit. Install the protective plugs into the open ends of each of the guards.
11. Obtain front engine guard mounting bracket (5) and two screws (9) from kit. Orient the the engine guard mounting bracket as shown and secure the upper engine guard (tubes) to the frame using the screws. Tighten screws to 32.5 Nm (24 ft-lbs).
12. Obtain two screws (12) and washers (1) from kit. Using screw with washer, secure the lower right tube section of the engine guard to the lower right side guard mount. Tighten screw to 67 Nm (49 ft-lbs). Repeat Step for the left engine guard and engine guard mount.
13. After installation is complete, perform the following:
  - a. Turn the handlebars all of the way to the left until contact with the left steering stop is made. Inspect the left brake line making sure the line does not make contact with the engine guard.
  - b. If the brake line contacts engine guard, carefully adjust (move) the brake line forward to provide 1/8 inch clearance between brake line and engine guard.
  - c. Turn the handlebars all of the way to the right. If the right brake line contacts engine guard, perform Step b.

# SERVICE PARTS

is04197

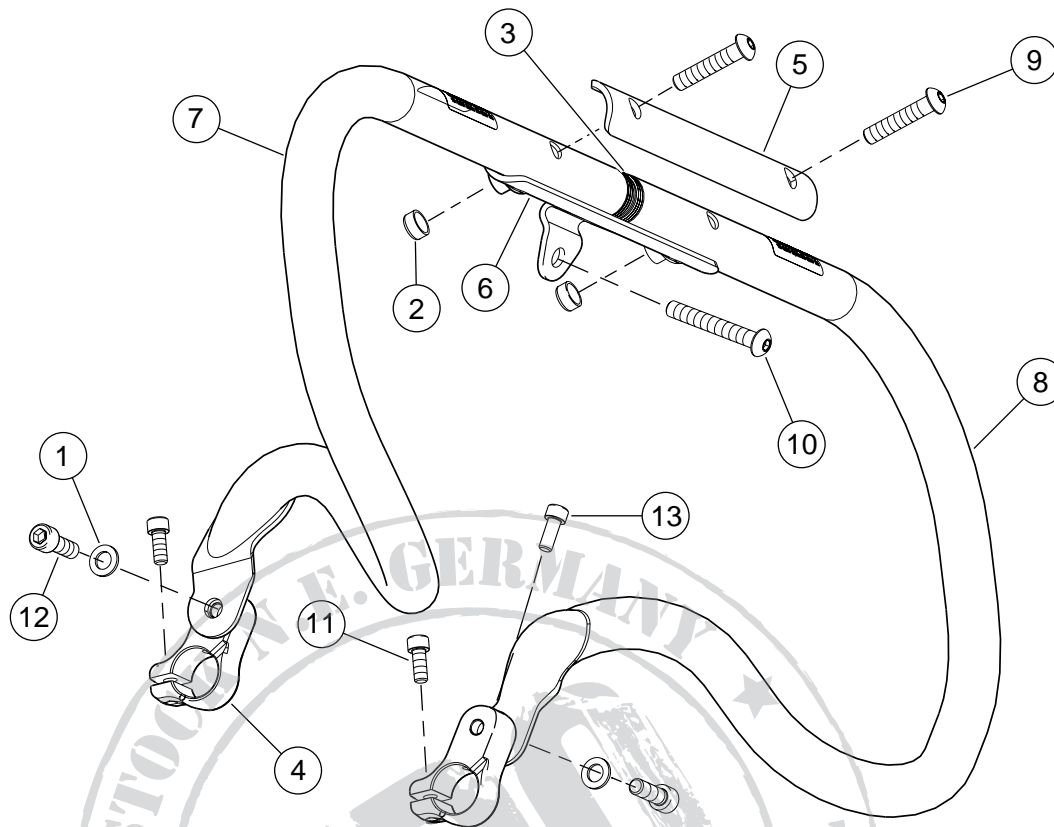


Figure 4. Service Parts: Engine Guard Kit

Table 1. Service Parts Table

Item	Description (Quantity)	Part Number	Item	Description (Quantity)	Part Number
1	Washer, narrow (2)	6839M	8	Guard, engine (left)	49245-01
2	Cap, protective (2)	49358-01	9	Screw, hex, M10 x 1.5 x 50 mm (2)	3867M
3	Plug (2)	49357-01	10	Screw, hex M10 x 1.5 x 70 mm	3866M
4	Mount, engine guard (2)	49356-01	11	Screw, hex M8 x 1.25 x 30 mm (2)	3709M
5	Bracket, engine guard mounting	49266-01	12	Screw, hex M10 x 1.5 x 30 mm (2)	3703M
6	Bracket, engine guard mounting	49265-01	13	Plug, rubber clearance hole (2)	49359-01
7	Guard, engine (right)	49264-01			