



# INSTRUCTIONS

-J04659

REV. 2008-06-25

## COMFORT PROFILE REAR SADDLEBAG GUARD KIT

### GENERAL

#### Kit Number

49179-09

#### Models

For model fitment information, see the P&A Retail Catalog or the Parts and Accessories section of [www.harley-davidson.com](http://www.harley-davidson.com) (English only).

#### Additional Parts Required

**For FLHX and FLTR Models:** Separate purchase of Antenna Mounting Bracket (76557-09) is required for proper installation of this kit.

**For FLHX, FLTR and FLTRSE3 Models:** Separate purchase of Saddlebag Supports (49194-09 and 90781-09) and Nut (7531) are required for proper installation of this kit.

**For FLHRC Models:** Separate purchase of reflectors (59371-98 and 59370-98) is required for proper installation of this kit.

### WARNING

**The rider's safety depends upon the correct installation of this kit. Use the appropriate service manual procedures. If the procedure is not within your capabilities or you do not have the correct tools, have a Harley-Davidson dealer perform the installation. Improper installation of this kit could result in death or serious injury. (00333a)**

#### NOTE

*This instruction sheet references service manual information. A service manual for your model motorcycle is required for this installation and is available from a Harley-Davidson Dealer.*

#### Kit Contents

See Figure 3 and Table 1.

### REMOVAL

1. Remove saddlebags from motorcycle following the instructions in the service manual.
2. See Figure 3. Remove grab strap screw and washer (G). Remove grab strap (H). Remove seat following the instructions in the service manual.
3. Remove left and right side covers (located in front of saddlebags) by removing screw from bottom of side cover. Save hardware and side covers for final assembly.
4. Support muffler assembly with a block of wood or other suitable method.

#### For FLTR and FLHX Models

1. See Figure 3. Remove the screws (F) securing saddlebag guards to muffler supports.
2. Remove bolt (M) and nut (P). Save bolt (M) for installation. Discard nut (P).
3. Remove screws (B and C) and nut (E). Save screws (B and C) for installation. Discard nut (E).
4. Remove stud receptacle (I) and save for installation.
5. See Figure 1. Remove antenna bracket (1), mounting fasteners (2), antenna mounting nut (5), washer (4) and antenna adapter (3). Save the antenna and hardware, discard the bracket.
6. Remove support (D) and discard.
7. Repeat Steps 1 through 4 for other side.

#### For FLHTCU and FLHTC Models

1. Remove and discard screws (X) and guard rail mounts (W and V).
2. Remove screw (Q) and rear guards (U). Discard rear guard assembly including screws (T) and clamps (R and S). Discard screw (Q).
3. Remove and discard screw (K) and nut (L).
4. Remove screws (N and C) and nut (E). Save screw (C) for installation. Discard nut (E), screw (N) and forward guard.
5. Repeat Steps 1 through 5 for other side.

#### For All Other Models

1. Remove screws (N and C) and nut (E). Save screw (C) for installation. Discard nut (E) and screw (N).
2. Remove and discard screw (K) and nut (L).
3. Remove forward guard and discard.
4. Repeat for other side.

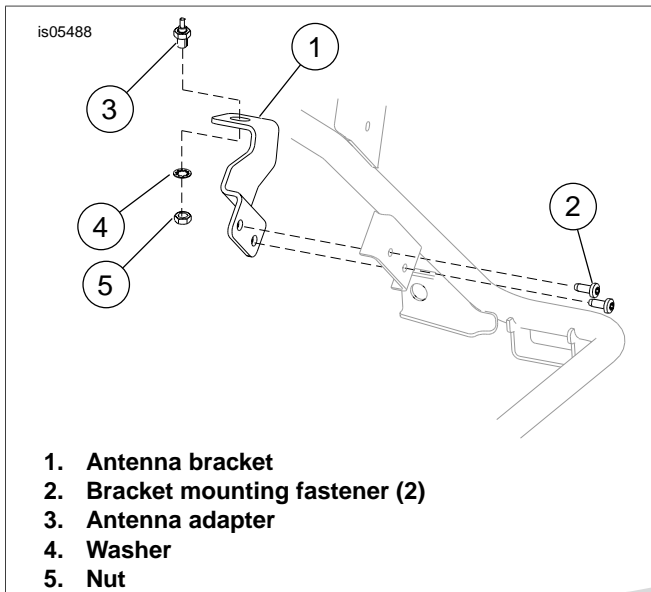


Figure 1. Remove Antenna and Bracket

## INSTALLATION

1. **For FLTR and FLHX Models:** See Figure 3.
  - a. Install the rear saddlebag support mounting screw (B) through the air suspension bracket (A) and saddlebag support (J) (purchased separately). Install screw finger-tight.
  - b. Install bolt (M) and nut (P) (purchased separately). Tighten finger-tight.
  - c. Install stud receptacle (I) into saddlebag support (J).
  - d. See Figure 2. Install antenna bracket (purchased separately) with hardware (removed earlier).
2. Install new forward saddlebag guard (1 or 2) onto saddlebag support (J).
3. Install screw (4) and nut (3). Tighten finger-tight.
4. Secure forward saddlebag guard with upper bolt (5) and lower bolt (C) with nut (6). Tighten finger-tight.
5. Tighten the forward guard upper screw (5) to 32-36 ft-lbs (43-49 Nm).
6. Tighten the lower screw (C) and nut (6) to 32-36 ft-lbs (43-49 Nm).
7. Tighten saddlebag support screw (4) and nut (3) to 70-100 **in-lbs** (8-11 Nm).
8. **For FLTR and FLHX Models:**
  - a. Tighten the rear saddlebag support mounting screw (B) to 15-20 ft-lbs (20-27 Nm).
  - b. Tighten fender bracket screw (M) and nut (P) to 15-20 ft-lbs (20-27 Nm).
  - c. Install muffler with screws (F) and remove wooden support. Tighten screws to 96-144 **in-lbs** (10.8-16.3 Nm).
9. Repeat all steps for opposite side of vehicle.
10. Install seat and grab strap (H). Tighten grab strap screw (G) to 12-15 ft-lbs (16.3-20.3 Nm).

11. Install left and right side covers with original hardware.
12. Install saddlebags with the original hardware following the instructions in the service manual.

### WARNING

Federal Motor Vehicle Safety Standard (FMVSS) 108 requires motorcycles to be equipped with rear and side reflectors. Be sure rear and side reflectors are properly mounted. Poor visibility of rider to other motorists can result in death or serious injury. (00336b)

#### NOTE

Ambient temperature should be at least 60 °F (16 °C) for proper adhesion of the reflectors.

Allow at least 24 hours after applying the reflectors before exposing the area to vigorous washing, strong washer spray or extreme water pressure.

13. **For FLHRC Models:** Peel off the paper backing on the reflector (AA). Press the reflector on forward guard. Press firmly and hold for 30 seconds.

### WARNING

The front and/or rear guard(s) can provide limited leg and cosmetic vehicle protection under unique circumstances. (Fall over while stopped, very slow speed slide.) It is not made or intended to provide protection from bodily injury in a collision with another vehicle or any other object. (00022a)

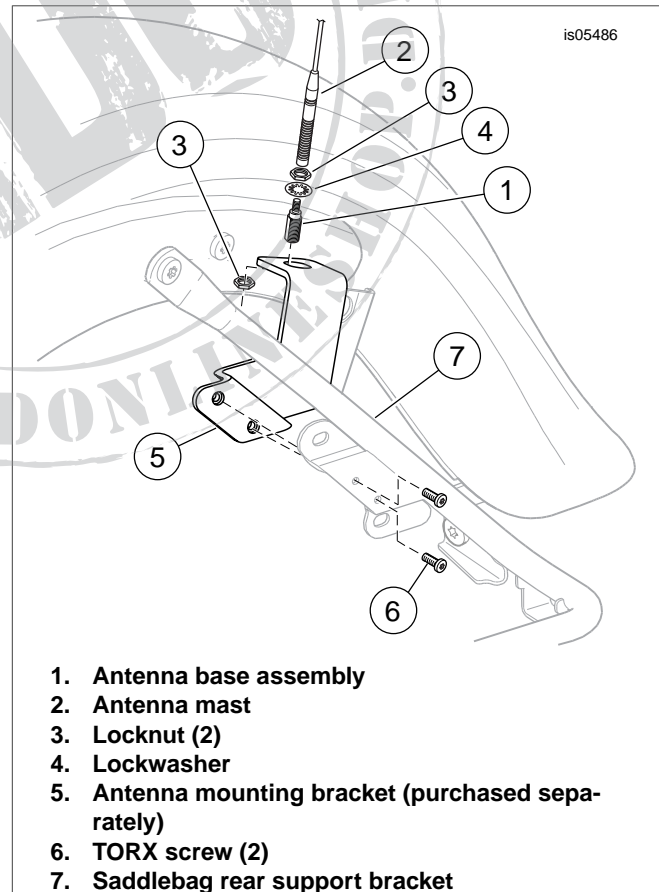


Figure 2. Antenna Mounting Bracket

# SERVICE PARTS

is05473c

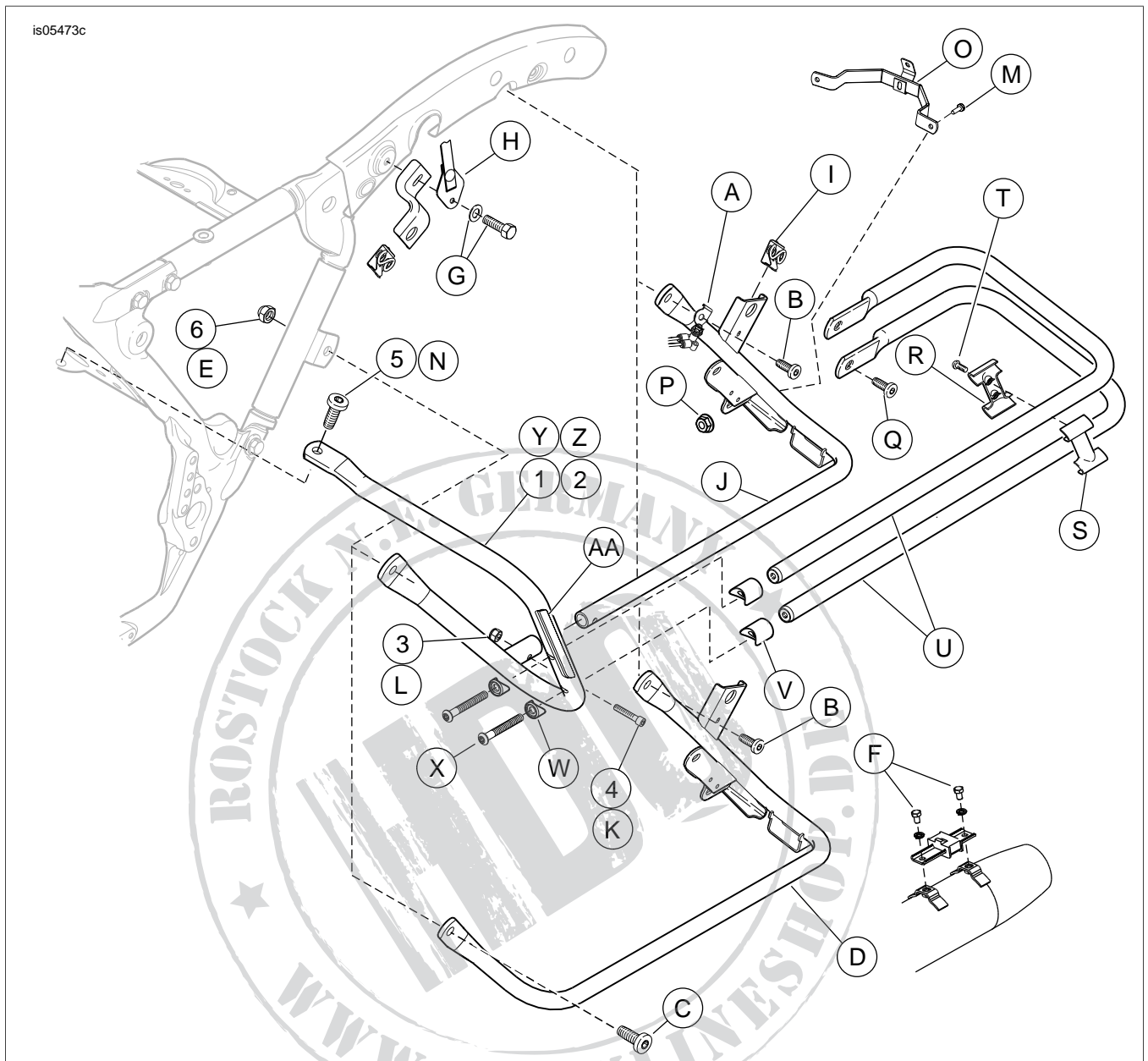


Figure 3. Service Parts: Saddlebag Guard Kit (Left Side Shown)

Table 1. Service Parts Table

Item	Description (Quantity)	Part Number
1	Forward guard, left	49180-09
2	Forward guard, right	49181-09
3	Locknut, 1/4-20	7686
4	Screw, 1/4-20	3601
5	Screw, TORX	4924
6	Locknut, 3/8-16	7601

Table 1. Service Parts Table

Item	Description (Quantity)	Part Number
<b>Items mentioned in text, but not included in kit:</b>		
A	Air suspension mounting bracket	
B	Rear saddlebag support mounting screw	
C	Lower saddlebag guard screw	
D	Saddlebag support	
E	Lower saddlebag guard nut	
F	Muffler screw (2)	
G	Grab strap mounting hardware	
H	Grab strap	
I	Stud receptacle	
J	Saddlebag support (separate purchase for FLTR, FLHX and FLTRSE3)	
K	Stock screw	
L	Stock nut	
M	Stock screw	
N	Stock screw	
O	Stock fender bracket	
P	Nut (separate purchase for FLTR and FLHX)	
Q	Screw, 0.312-18 x 0.63 inch (4)	
R	Inner clamp (2)	
S	Outer clamp (2)	
T	Screw, #10-24 x 0.50 inch TORX (4)	
U	Rear guard (4)	
V	Guard rail mounts, rear (4)	
W	Guard rail mounts, front (4)	
X	Screw, hex cap (4)	
Y	Forward guard, left	
Z	Forward guard, right	
AA	Reflectors (separate purchase for FLHRC)	