



INSTRUCTIONS

-J00170

REV. 07-14-03

Kit Number 49102-86T

ENGINE-GUARD MOUNTED “HARLEY” FOOTPEGS

These footpegs fit all H-D engine guards except VRSC models.

This kit consists of the following items:

ITEM	QTY	DESCRIPTION
1	2	Footpeg and support block assembly
2	2	Clamp (for 1-1/4 in. dia. bar)
3	2	Clamp (for 1 in. dia. bar)
4	4	Step spacer
5	2	Lockwasher
6	2	Bolt, 3/8-24 x 2.0 in.

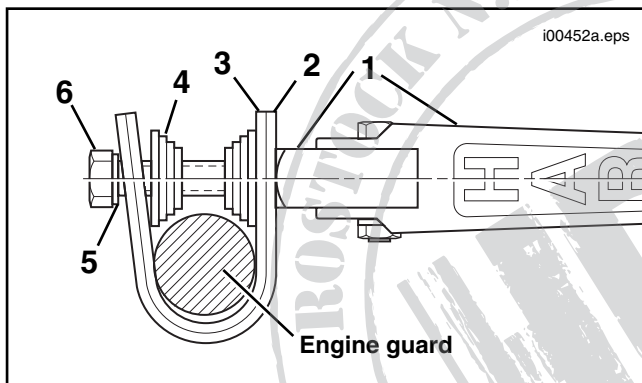


Figure 1. Footpeg Installation

Installation

⚠ WARNING

Footpegs must be positioned so rider can operate all foot controls throughout their range of motion without interference. Failure to have full, unlimited access to foot controls could cause loss of control, which could result in death or serious injury.

1. See Figure 1. Remove the bolt (6) and lockwasher (5) from the footpeg assembly (1).

NOTE

When installing the footpegs on a 1 inch (25 mm) diameter engine guard, use both clamps.

For 1 inch (25 mm) dia. engine guards: Place both the large clamp (2) and the small clamp (1) around the engine guard as shown. Position the clamps on the straight, upright section of the guard.

For 1-1/4 inch (32 mm) dia. engine guards: Discard the small clamp (1). Place the large clamp (2) around the engine guard. Position the clamp on the straight, upright section of the guard.

2. For **ALL engine guards:** Install two step spacers (4) inside the clamp on either side of the engine guard as shown.
3. Put the lockwasher (5) on the bolt (6). Insert the bolt through the clamp and spacers, and thread into the footpeg assembly as shown.

⚠ WARNING

Mount the footpegs so they will not strike the ground during cornering. Footpegs striking the ground during cornering could result in death or serious injury.

4. Position the footpeg for rider comfort, and rotate the footpeg assembly so it folds upward and to the rear. Tighten bolt (6) to 30 ft-lbs (41 Nm) so the footpeg does not rotate on the bar.
5. Repeat Steps 1 through 4 for the right side.

In Use

⚠ CAUTION

If the preferred footpeg mounting location increases the overall width of the motorcycle, take care to maintain proper clearance between the motorcycle and surrounding persons or objects. Failure to maintain proper clearance could result in personal injury or property damage.