



INSTRUCTIONS

-J02822

REV. 2007-01-16

ENGINE GUARD FOR 2004 AND LATER SPORTSTER

GENERAL

Kit Number

49060-04, 49215-07

Models

For model fitment information, please see the P&A Retail Catalog or the Parts and Accessories section of www.harley-davidson.com (English only).

WARNING

The front and/or rear guard(s) can provide limited leg and cosmetic vehicle protection under unique circumstances. (Fall over while stopped, very slow speed slide.) It is not made or intended to provide protection from bodily injury in a collision with another vehicle or any other object. (00022a)

NOTE

A Service Manual for your model motorcycle is available from a Harley-Davidson Dealer.

Kit Contents

Table 1. Kit Contents

Description (Quantity)	Part Number
Screw, 3/8-16 x 1-1/2 inch (2)	4721
Screw, 3/8-16 x 3/4 inch (2)	4713W
Washer, flat 3/8 inch (4)	6026
Assembly, engine guard	Not sold separately

INSTALLATION

NOTE

Cover front fender with a clean rag to protect it from scratches during installation procedures.

NOTE

When performing Steps 1 and 4, on all models except the 1200 Custom, you will also be removing the horn mounting bracket.

- All Except 1200 Custom models:** Note location of horn wires and remove the two horn connectors from the back of the horn.
- 1200 Custom:** Proceed to Step 3.

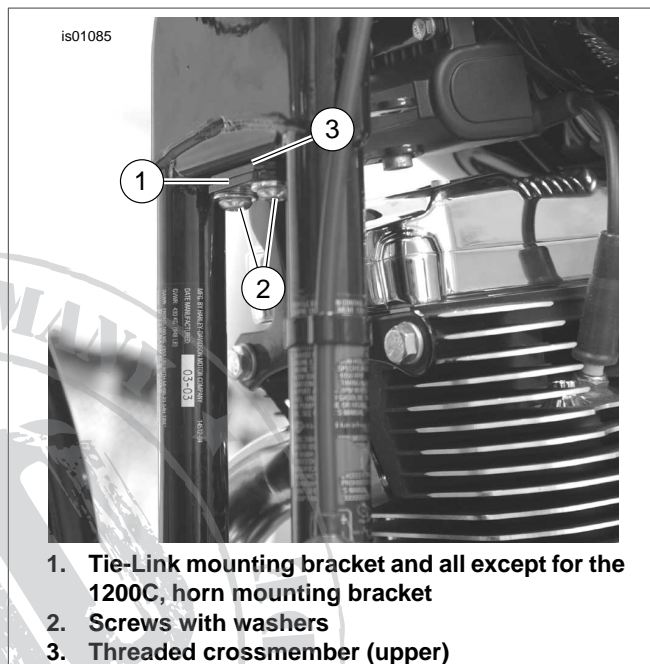
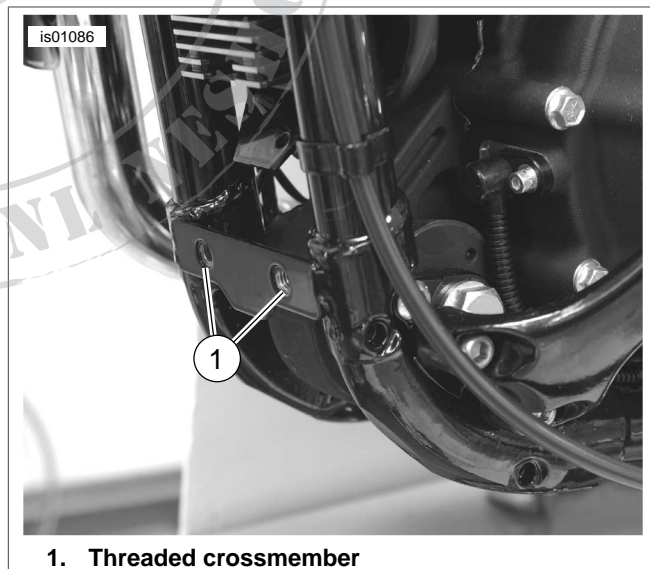


Figure 1. Remove Upper Tie-Link to Frame Hardware (XL 1200 Custom Shown)



1. Threaded crossmember

Figure 2. Lower Frame (threaded) Crossmember

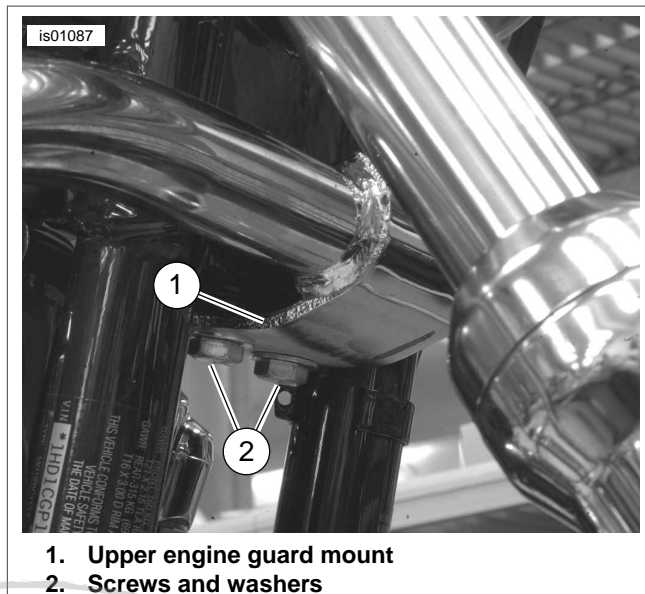
- See Figure 1. Remove the two screws with washers (2) securing the upper tie-link assembly (1) to the upper front frame crossmember (3). Leave tie-link assembly in position. Discard screws and washers. Set horn bracket with horn aside for models in which horn was removed.

4. See Figure 2. Note the two threaded holes in the lower frame crossmember (1) (at lower section of the front frame downtubes). This is where the bottom section of the engine guard will be mounted.
5. Obtain two 3/8-16 X 1-1/2 inch screws, two flatwashers and engine guard from kit.

NOTE

For Step 6, note that upper section of engine guard must be mounted between horn bracket and upper tie-link bracket. See Figure 3 noting that illustration is 1200 Custom and does not show the horn mounting bracket.

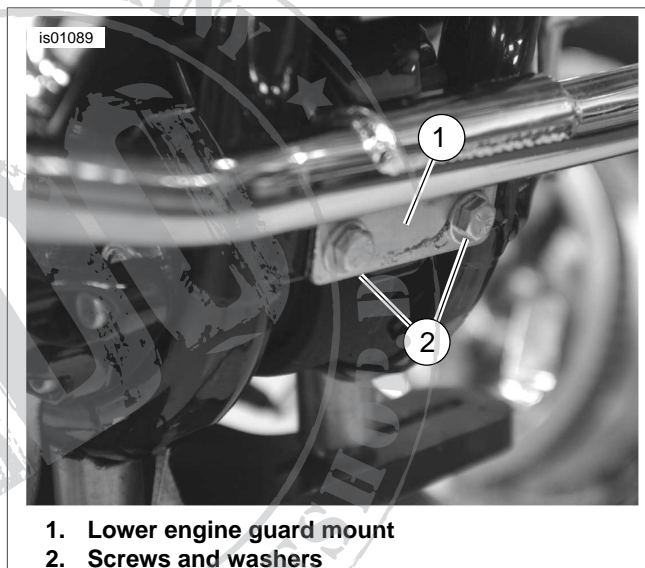
6. **All models except 1200 Custom:** Figure 3 illustrates mounting without horn bracket and horn in place. Place flat washers on screws, Obtain horn bracket with horn. While holding engine guard and horn bracket in place at upper crossmember, install screws with washers (2) through horn bracket, upper engine guard mount (1), tie-link mounting bracket and thread into holes in upper frame crossmember. Tighten just enough to hold the assembly snug and in place.



1. Upper engine guard mount
2. Screws and washers

Figure 3. Mount Upper Section of Engine Guard

7. **1200 Custom models:** See Figure 3. Place flat washers on screws. While holding engine guard at upper crossmember, install screws with washers through engine guard mounting holes, tie-link mounting bracket and thread into holes in upper frame crossmember. Tighten just enough to hold the assembly in place.
8. Obtain two 3/8-16 X 3/4 inch screws and two flatwashers from kit.
9. See Figure 4. Install flat washers onto screws. Install screws (2) through lower engine guard mount (1) holes and thread into lower crossmember holes. Tighten until snug only.
10. By site, carefully center the engine guard and hold in position.
11. Tighten the upper mounting screws to 25-35 ft-lbs (34-47 Nm).
12. Tighten the lower mounting screws to 25-35 ft-lbs (34-47 Nm).
13. Turn handlebars fully to the right and left and inspect for adequate clearance between the engine guard and the clutch and brake cables.



1. Lower engine guard mount
2. Screws and washers

Figure 4. Mount Lower Section of Engine Guard