



INSTRUCTIONS

-J00167

REV. 10-16-02

Kit Number 49019-95

SUPERGLIDE HIGHWAY PEG MOUNTING KIT

General

This kit is designed for installation on 1995 and later Dyna Superglide model motorcycles.

NOTE

Harley-Davidson male-mount style footpegs will need to be purchased and installed with this footpeg mounting kit. See your Harley-Davidson dealer for the purchase of this footpeg kit.

See Service Parts illustration for kit contents.

Installation

1. See Figure 1. Starting on right side of vehicle, install highway peg support plate (1) onto lower frame tube boss using two 3/8-16 x 1.25 in. socket head cap screws (9), 3/8 in. lockwashers (10), and 3/8 in. flat washers (11) from kit. Torque screws (9) to 47 ft-lbs torque.
2. Install footrest support (2) onto highway peg support plate (1) using 1/2 in. hex nut (3) and 1/2 in. lockwasher (4) and 1/2 in. flat washer (5) from kit. Torque nut (3) to 47 ft-lbs.
3. Locate spring washer (7) from kit. Hold washer in position on inside of forward mounting tab on footrest support (2) while positioning footpeg (not included with this mounting kit) between footrest support (2) mounting tabs, as shown.
4. Insert 3/8-16 x 1-1/2 in. hex head screw (6) from kit through footrest support (2) mounting tabs, footpeg and spring washer (7). Secure using 3/8-16 in. locknut (8) from kit.
5. Repeat these steps for the left side of vehicle.

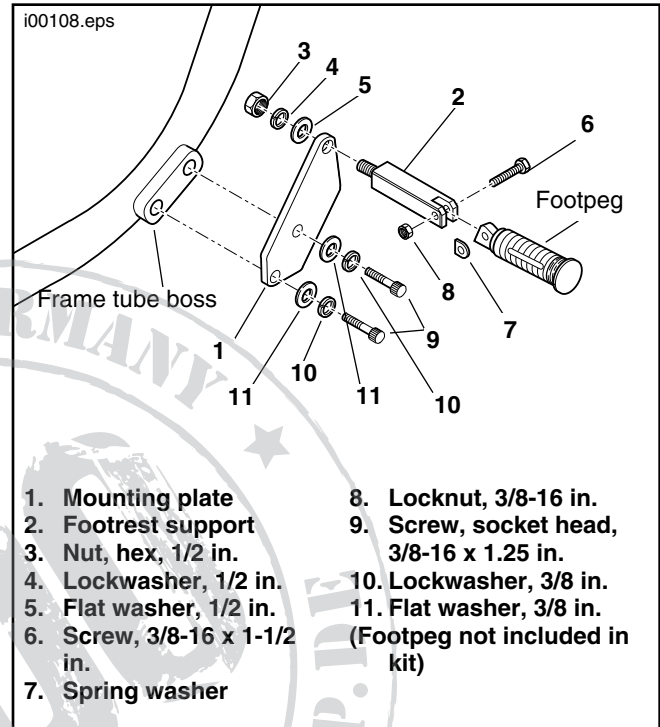


Figure 1. Footpeg and Footpeg Mounting Kit Installation (Right Side of Vehicle)

WARNING

These footrest pegs must fold up at a 45° angle (from vertical) toward rear of motorcycle. This angle allows footrest pegs to fold up if they strike the ground when making a sharp turn. Failure to set footpegs to the proper fold-up angle could result in death or serious injury.



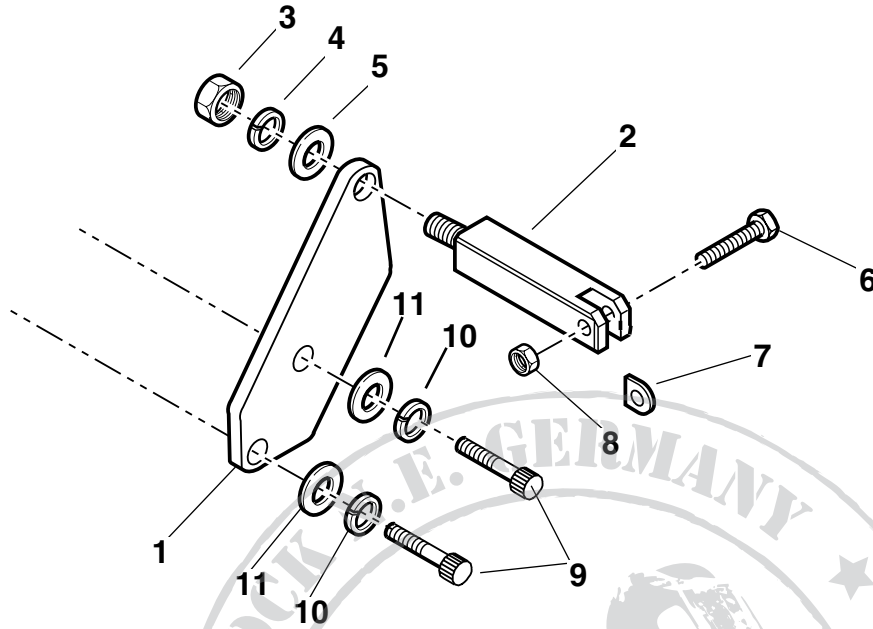
Service Parts

Part No. 49019-95

Date 10/02

Superglide Highway Footpeg Mount Kit

sp49019



Item	Description	Part No.
1	Mounting plate	49035-03
2	Support, footrest	49127-77A
3	Nut	7880
4	Lockwasher	7068
5	Washer, flat	6718
6	Screw	4721
7	Spring washer	50912-72
8	Locknut	7778
9	Screw	3214
10	Lockwasher	7038
11	Washer, flat	6701