



# INSTRUCTIONS

-J00161

REV. 8-8-96

Kit Number 49004-90

## ENGINE GUARD KIT

### General

This kit is designed for installation on FLST, FLSTF and FLSTN models. It may also be used with FXSTC and FXSTS models that are equipped with forward control Engine Guard Mounting Kit, Part No. 49164-93.

### ⚠WARNING

These engine guards may provide limited leg and cosmetic vehicle protection under unique circumstances (fall over while stopped, very slow speed slide). They are not made nor intended to provide protection from bodily injury in a collision with an automobile or any other object.

QTY	DESCRIPTION
1	Bolt, 5/16-24 x 1-1/4 in.
1	Bolt, 3/8-16, short
1	Bolt, 3/8-16 x 1-3/4 in.
1	Washer, 5/16 in., flat
1	Locknut, 5/16-24
1	Engine guard assembly
1	Backing plate
1	Locknut, 3/8-16

### Installation

1. Attach top center mounting flange of engine guard and backing plate to cross brace, located between front downtubes just below the steering head, with the 5/16 in. bolt, washer, and locknut. Backing plate should be behind cross brace bolt and washer to front of engine guard. Tighten finger tight.
2. To mount left side, remove and discard the front mounting bolt and flat washer (save lockwasher) from the footboard. Position left side mounting tab to inside of footboard mounting plate.
3. Insert long bolt through lockwasher and engine guard mounting flange hole, through footboard mounting plate and thread into footboard mount. Tighten finger tight.
4. Attach engine guard right side to the outside of the forward section of master cylinder mounting plate with short bolt and locknut. Tighten to 33 ft-lbs.
5. Tighten engine guard left side mounting hardware to 33 ft-lbs. Tighten engine guard top mounting hardware to 19 ft-lbs.



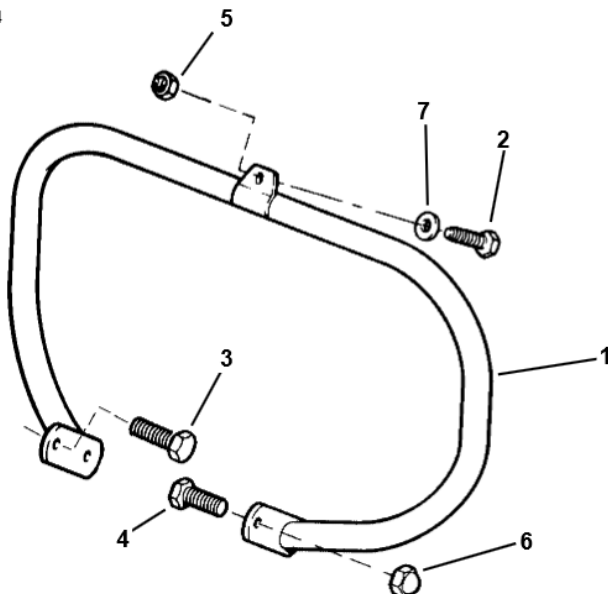
## Service Parts

Part No. 49004-90

Date 8/96

Engine Guard Kit

sp49004



Item	Description	Part No.
1	Engine Guard	49004-90
<i>Kit consists of:</i>		
2	Bolt, 5/16-24 x 1-1/4 in.	4014W
3	Bolt, 3/8-16 x 1-3/4 in.	4720W
4	Bolt, 3/8-16 x 1-1/4 in.	4716W
5	Locknut, 5/16-24	7725
6	Nut, 3/8-16	7778
7	Washer, flat, 5/16	5336B