



INSTRUCTIONS

-J01543

REV. 2011-08-12

ENGINE GUARD KITS

GENERAL

Kit Number

49004-00A, 49037-05A

Models

For model fitment information, see the P&A Retail Catalog or the Parts and Accessories section of www.harley-davidson.com (English only).

Kit Contents

See Figure 4 and Table 1.

INSTALLATION

WARNING

The front and/or rear guard(s) can provide limited leg and cosmetic vehicle protection under unique circumstances. (Fall over while stopped, very slow speed slide.) It is not made or intended to provide protection from bodily injury in a collision with another vehicle or any other object. (00022a)

1. See Figure 1. Check the position of the clutch cable clip (4). The clip should extend outboard. If it does not, rotate the clip 180 degrees as follows:
 - a. Open clutch cable clip (4) on left downtube (2) and remove the clutch cable (5) from the clip.
 - b. Loosen the screw holding the clutch cable clip.
 - c. Rotate the clip 180 degrees.
 - d. Tighten the clutch cable clip screw.
 - e. Install clutch cable back into the clutch cable clip.

NOTE

See Figure 1. When installing engine guard on models with ABS brakes, route the brake line (1) outboard of the frame tube and behind the engine guard (3) as shown. Rotate the brake line retaining clips (6) as shown to allow proper brake line routing.

2. See Figure 2. Hold the engine guard (1) in place, lining up the hole in the top center mounting flange of the guard with the hole in the cross brace located between the front downtubes just below the steering head.
3. Install a flat washer (3) onto the screw threads and insert the screw (4) through the holes from the front. Install the second flat washer over the screw threads and thread the hex nut (2) onto the screw. Tighten finger-tight.

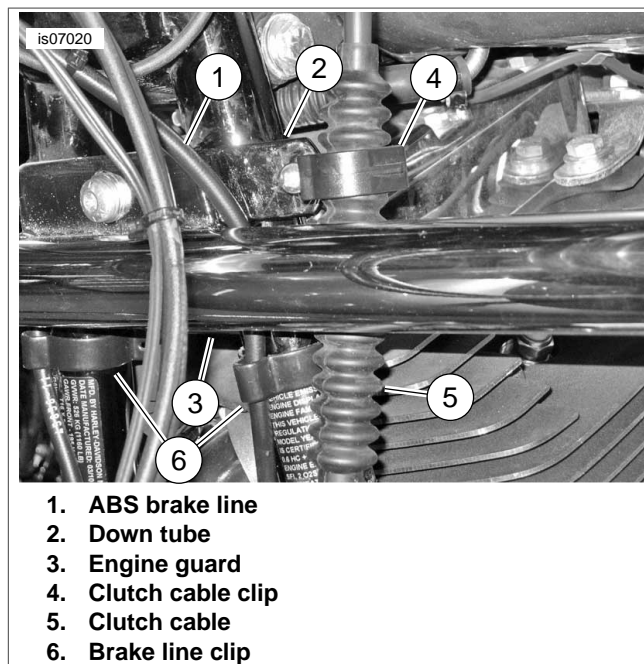
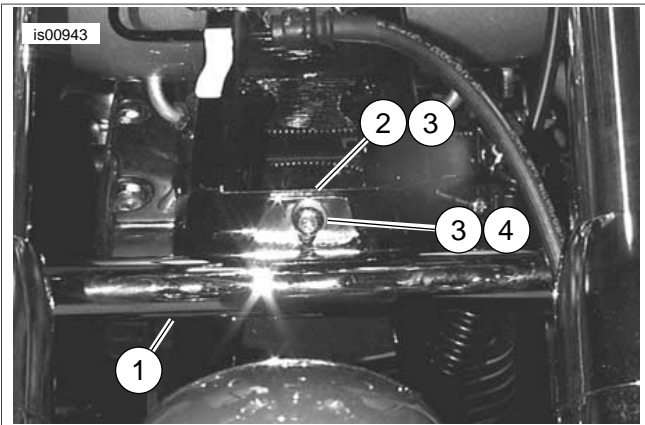


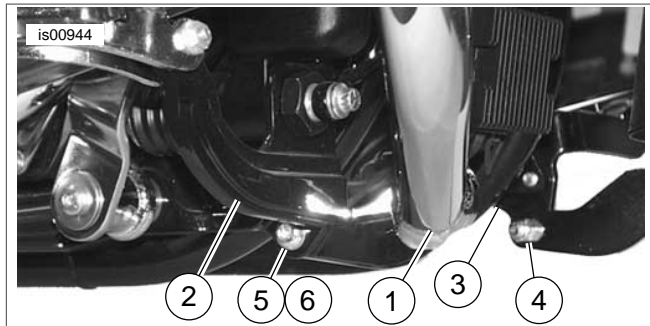
Figure 1. Brake Line and Clutch Cable Routing

4. See Figure 3. On the right side of the motorcycle, attach the engine guard (1) to the footboard mounting bracket (2) with a screw (6), washer (5) and locknut (4) from the kit. Tighten finger-tight.
5. Repeat Step 4 for left side footboard mounting bracket (3). Tighten the screw to 33 ft-lbs (44 Nm).
6. Tighten the right side screw to 33 ft-lbs (44 Nm).
7. Tighten the top screw to 19 ft-lbs (25.7 Nm).



- 1. Engine guard
- 2. Hex nut (behind cross brace)
- 3. Washer (2)
- 4. Screw

Figure 2. Engine Guard Mounting Flange (Top Center)



- 1. Engine guard
- 2. Footboard mounting bracket, right side
- 3. Footboard mounting bracket, left side
- 4. Locknut
- 5. Washer
- 6. Screw

Figure 3. Engine Guard Lower Mounting (Right Side View)



SERVICE PARTS

is00954

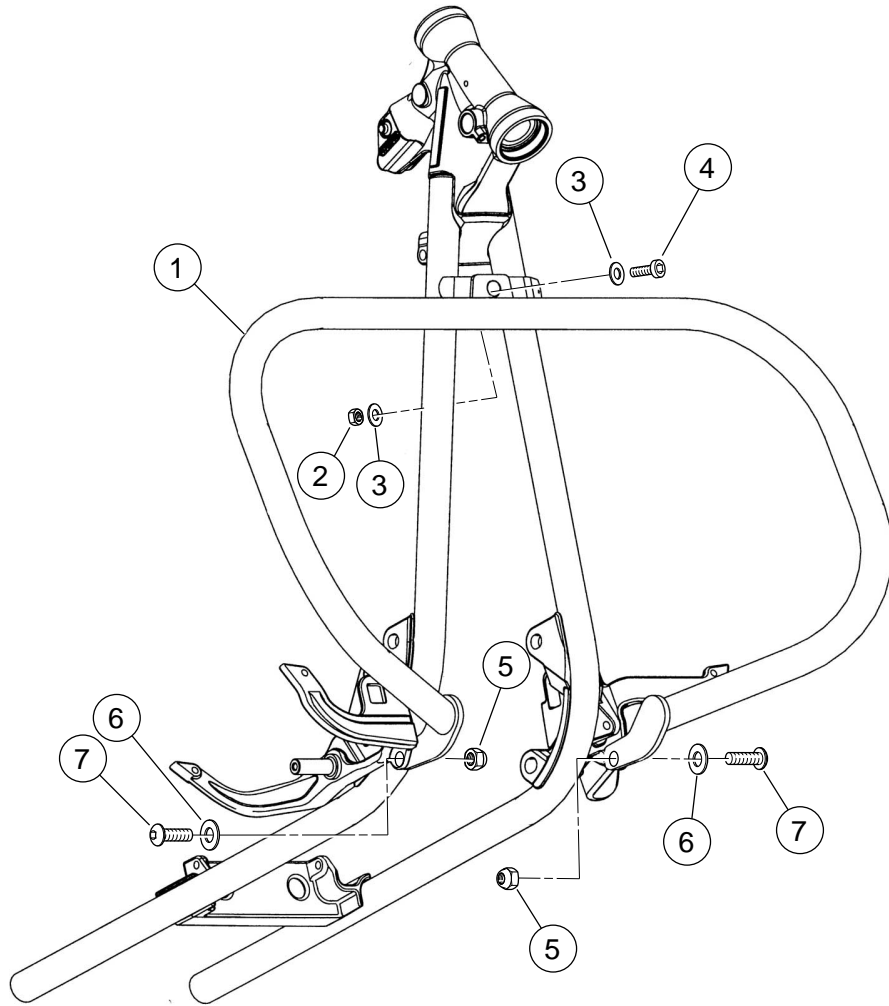


Figure 4. Service Parts for Engine Guard Kit

Table 1. Service Parts Table

Item	Description (Quantity)	Part Number
1	Engine guard	Not Sold Separately
2	Hex nut, 5/16-18 in.	7748W
3	Plain washer, 5/16 in. I.D. (2)	6702
4	Screw, pan head, TORX, 5/16-18 X 7/8 in.	3655A
5	Locknut, 3/8-16 in. (2)	7778
6	Plain washer, 3/8 in. I.D (2)	6812
7	Screw, pan head, TORX, 3/8-16 X 1-1/4 in.	4188