



INSTRUCTIONS

-J01175

REV. 1-16-98

Kit Number 49002-98

DYNA GLIDE ADJUSTABLE HIGHWAY PEG MOUNTING KIT

General

This kit is designed for installation on 1991 and later Dyna Glide model motorcycles (**except FXDWG models**). See Service Parts illustration for kit contents.

NOTE

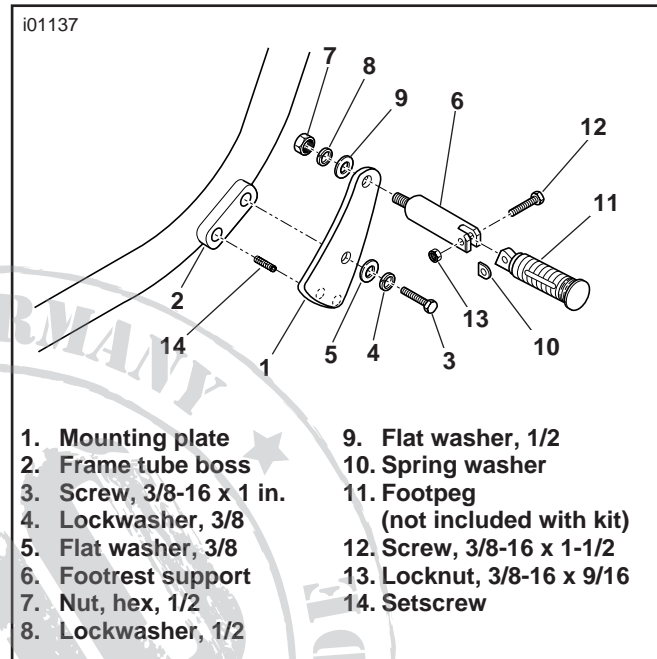
This kit cannot be used with a front engine guard installed.

Installation

1. See Figure 1. Install setscrew (14) into lower hole on frame tube boss (2) leaving .20 in. of setscrew (or three threads) exposed.
2. Place highway peg mounting plate (1) into position. For a lower peg position, place bottom hidden hole in mounting plate over setscrew. For a higher peg position place upper hidden hole in mounting plate over setscrew. Attach mounting plate to frame tube boss using 1 in. long screw (3), lockwasher (4), and flat washer (5) from kit. Tighten screws to 33 ft-lbs.
3. Install footrest support (6) onto highway peg support plate using hex nut (7), lockwasher (8) and flat washer (9) from kit. Tighten nut (7) to 47 ft-lbs.
4. Locate spring washer (10) from kit. While holding spring washer in position on inside of footrest support (with square edge towards motorcycle), position footpeg (not included with this mounting kit) between footrest support mounting tabs, as shown.
5. Insert 1-1/2 in. long screw (12) from kit through footrest support mounting tabs, footpeg, and spring washer. Secure using locknut (13) from kit.
6. Repeat these steps for the other side of vehicle.

WARNING

These footrest pegs must fold upward and toward the rear at about a 45° angle when retracted. If they do not, peg could contact ground while motorcycle is in a turn, causing loss of control or startling the rider, resulting in possible personal injury. If pegs do not fold up and back at a 45° angle, remove pegs and turn them over so the flat surface is facing forward.



- | | |
|--------------------------|--|
| 1. Mounting plate | 9. Flat washer, 1/2 |
| 2. Frame tube boss | 10. Spring washer |
| 3. Screw, 3/8-16 x 1 in. | 11. Footpeg
(not included with kit) |
| 4. Lockwasher, 3/8 | 12. Screw, 3/8-16 x 1-1/2 |
| 5. Flat washer, 3/8 | 13. Locknut, 3/8-16 x 9/16 |
| 6. Footrest support | 14. Setscrew |
| 7. Nut, hex, 1/2 | |
| 8. Lockwasher, 1/2 | |

Figure 1. Footpeg and Footpeg Mounting Kit Installation
(Right Side of Vehicle)



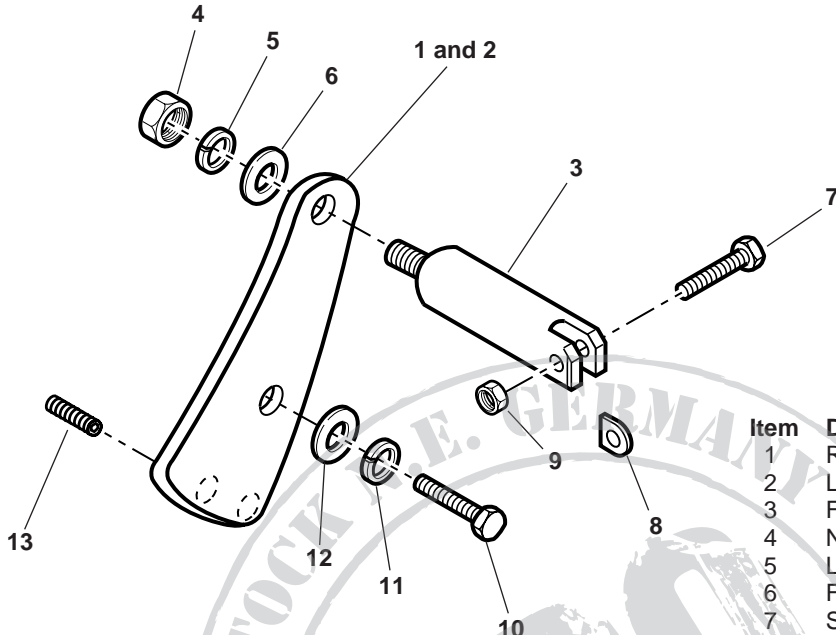
Service Parts

Part No. 49002-98

Date 1/98

Dyna Glide Adjustable Highway Footpeg Mounting Kit

sp49002



Item	Description	Part No.
1	RH Mounting plate	49175-98
2	LH Mounting plate	49233-98
3	Footrest supports	49714-98
4	Nuts (2)	7880
5	Lockwashers (2)	7068
6	Flat washers (2)	6718
7	Screws (2)	4721
8	Spring washers (2)	50912-72
9	Locknuts (2)	7778
10	Screws (2)	2879W
11	Lockwashers (2)	7038
12	Flat washers (2)	6701
13	Setscrews (2)	3289

