



INSTRUCTIONS

-J07072

2015-08-24

SWINGARM GUARD

GENERAL

Kit Number

49000121

Models

For model fitment information, see the P&A Retail Catalog or the Parts and Accessories section of www.harley-davidson.com (English only).

Installation Requirements

⚠ WARNING

The rider's safety depends upon the correct installation of this kit. If the procedure is not within your capabilities or you do not have the correct tools, have a Harley-Davidson dealer perform the installation. Improper installation of this kit could result in death or serious injury. (00308a)

This kit requires the use of Loctite® 243 Threadlocker and Sealant - blue (Part Number 99642-97) which is available from a Harley-Davidson dealer.

Kit Contents

See Figure 1. This kit contains no service parts.

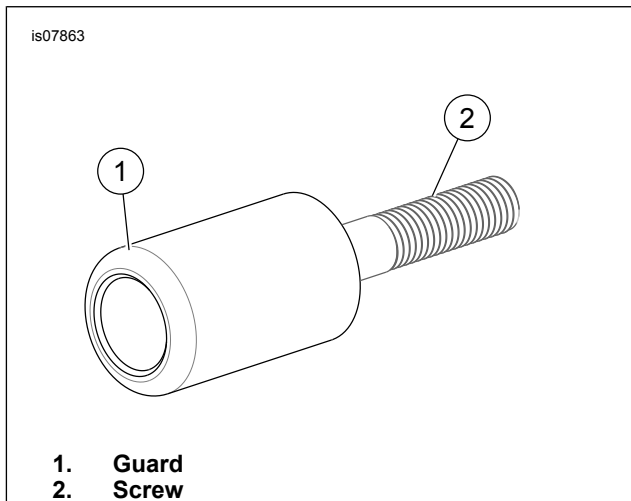


Figure 1. Swingarm Guard Kit

Installation

1. Raise vehicle to remove the weight from the rear suspension.
2. See Figure 2. Remove the lower screw and nut (4) securing the left rear shock absorber. Retain the nut for assembly. Retain the screw and washer (3) to return vehicle to original configuration in the future.

3. Apply a few drops of LOCTITE 243 MEDIUM STRENGTH THREADLOCKER AND SEALANT (blue) to the threads of the **new** screw (2).
4. Install the **new** screw through the guard (1), shock absorber eye and swingarm. Install nut (4). Tighten to 61–68 N·m (45–50 ft-lbs).

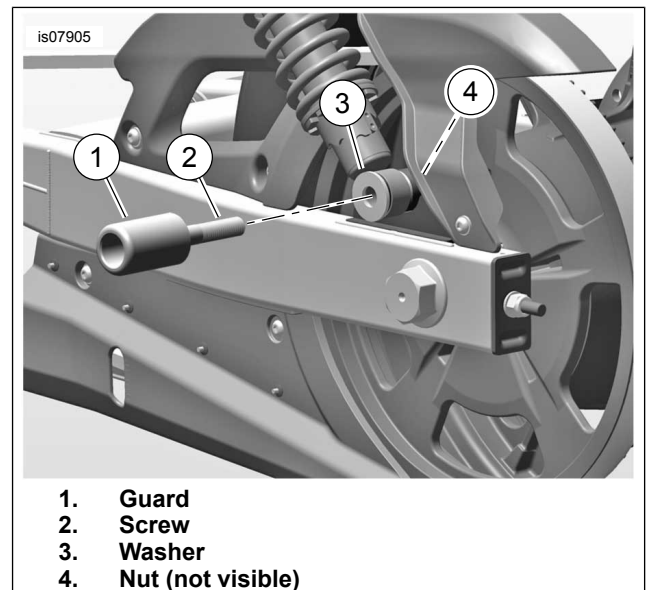


Figure 2. Swingarm Guard Installation