



INSTRUCTIONS

-J05835

2015-08-24

EXHAUST SLIDER GUARD

GENERAL

Kit Number

49000067

Models

For model fitment information, see the P&A Retail Catalog or the Parts and Accessories section of www.harley-davidson.com (English only).

Installation Requirements

⚠ WARNING

The rider's safety depends upon the correct installation of this kit. If the procedure is not within your capabilities or you do not have the correct tools, have a Harley-Davidson dealer perform the installation. Improper installation of this kit could result in death or serious injury. (00308a)

Kit Contents

This kit contains no service parts.

INSTALLATION

1. See Figure 1. Loosen worm drive clamp (2).
2. Slide guard assembly (3) onto muffler (1) until joint between muffler tip and muffler is just hidden by the rear edge of guard.
3. Push the guard halves together to create the smallest gap at the top.
4. Rotate clamp so screw is at approximately the 8 o'clock position (arrow). Tighten securely.

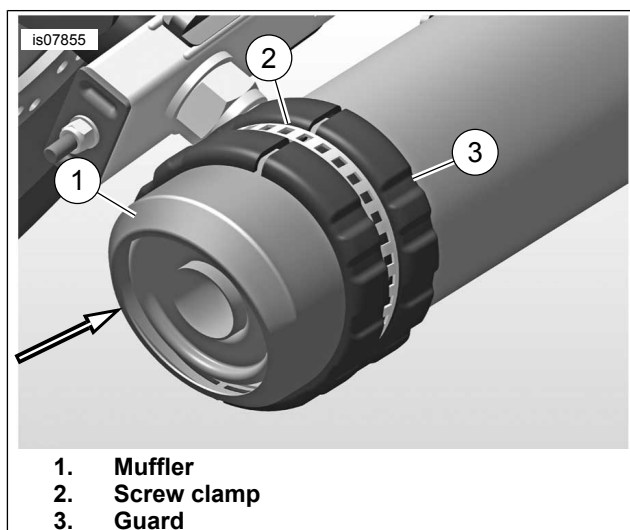


Figure 1. Install Guard