



# INSTRUCTIONS

-J04434

REV. 2010-06-23

## CHROME SWINGARM

### GENERAL

#### Kit Number

48663-08, 48607-08A

#### Models

For model fitment information, see the P&A Retail Catalog or the Parts and Accessories section of [www.harley-davidson.com](http://www.harley-davidson.com) (English only).

#### Additional Parts Required

### WARNING

The rider's safety depends upon the correct installation of this kit. Use the appropriate service manual procedures. If the procedure is not within your capabilities or you do not have the correct tools, have a Harley-Davidson dealer perform the installation. Improper installation of this kit could result in death or serious injury. (00333a)

#### NOTE

This instruction sheet references service manual information. A service manual for your model motorcycle is required for this installation and is available from a Harley-Davidson dealer.

### Kit Contents

Table 1. Kit Contents

Description (Quantity)	Part Number
Rear fork (swingarm)	Not sold separately

### INSTALLATION

Follow the instructions given in the REAR FORK section of the service manual to remove and install the rear wheel, rear brake caliper, rear shock absorber bolts, evaporative emissions (EVAP) system charcoal canister (on California models), and rear fork.

The rear fork in this kit installs in the same way as the original equipment rear fork.

Pay close attention to all warnings, cautions, and torque specifications when installing this rear fork.

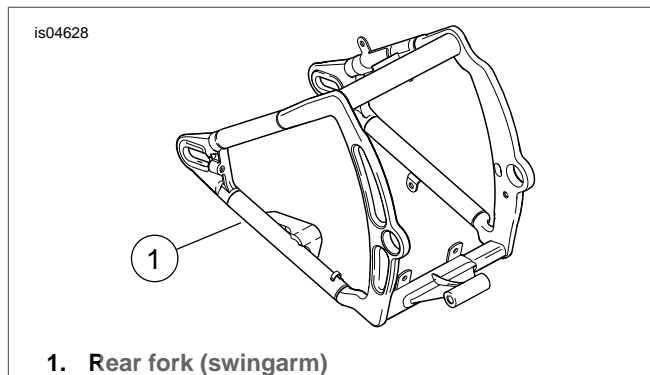


Figure 1. Chrome Swingarm

