



# INSTRUCTIONS

-J04884

2009-06-03

## GLOSS BLACK TRIPLE TREE COVER KIT

### GENERAL

#### Kit Number

48608-09

#### Models

For model fitment information, see the P&A Retail Catalog or the Parts and Accessories section of [www.harley-davidson.com](http://www.harley-davidson.com) (English only).

#### Additional Parts Required

##### ▲ WARNING

The rider's safety depends upon the correct installation of this kit. If the procedure is not within your capabilities or you do not have the correct tools, have a Harley-Davidson dealer perform the installation. Improper installation of this kit could result in death or serious injury. (00308a)

##### NOTE

*This instruction sheet references service manual information. A service manual for your model motorcycle is required for this installation and is available from a Harley-Davidson Dealer.*

### Kit Contents

See Figure 1 and Table 1.

Other gloss black parts available:

- Gloss Black Trim Strip (P/N 68055-10BHP), quantity of two required
- Gloss Black Fork Sliders (Kit 48645-09)
- Gloss Black Upper Fork Slider Covers (Kit 45591-02)
- Gloss Black Headlamp Bucket (Domestic / HDI RH Dip) (Kit 73294-10)

### INSTALLATION

1. Refer to the service manual to remove the front panel, side panels and trim strips. Save all hardware to install the new panels from the kit and trim strips.
2. See Figure 1 and Table 1. Install new panels from the kit and trim strips (D).
3. Tighten screw (A), three places, to 2.26–3.39 N·m (20–30 **in-lbs**) Tighten screw (B), two places, to 16.3–23 N·m (12–17 ft-lbs) Tighten screw (C), four places, to 10.8–16.3 N·m (8–12 ft-lbs). If installing on a motorcycle with a light bar or windshield, refer to the appropriate service manual or instruction sheet for torque values.



# SERVICE PARTS

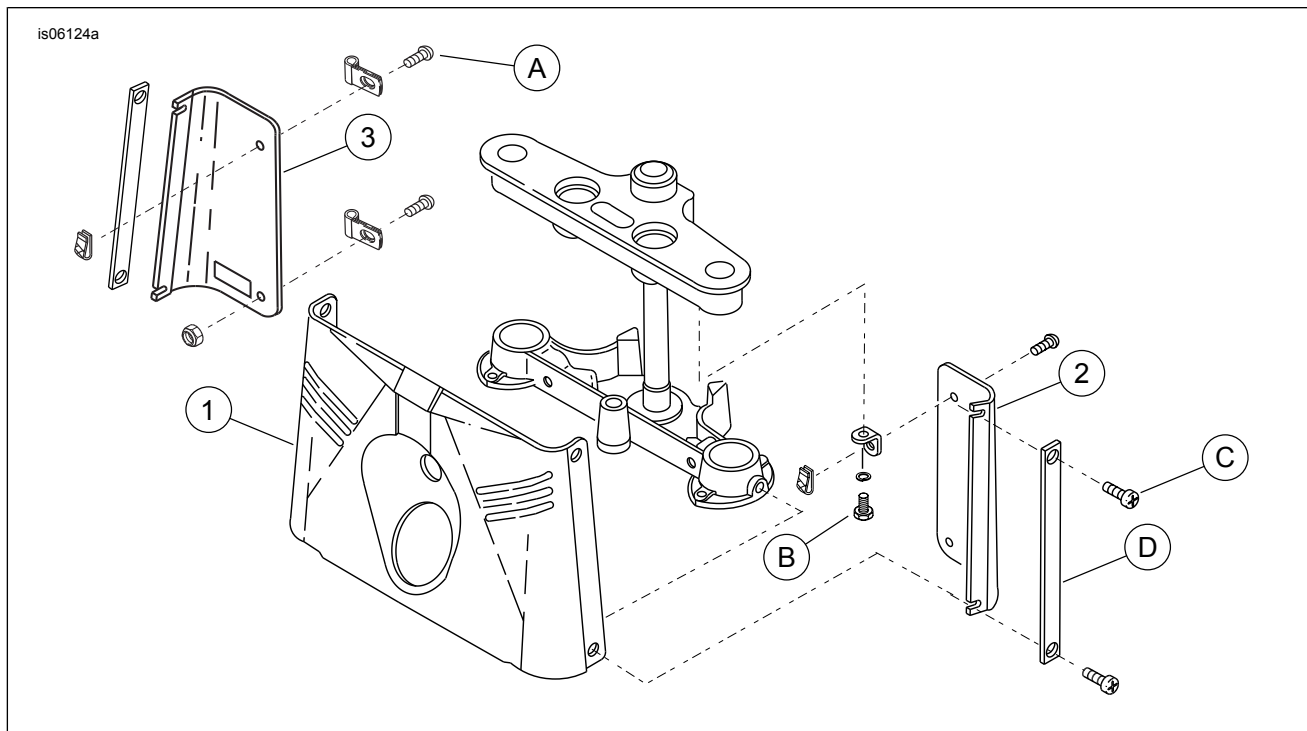


Figure 1. Service Parts: Gloss Black Triple Tree Cover Kit

Table 1. Service Parts Table

Item	Description (Quantity)	Part Number
1	Front panel, gloss black	67987-10BHP
2	Rear back panel, left	67993-10BHP
3	Rear back panel, right	67988-10BHP
<b>Items mentioned in text, but not included in kit:</b>		
A	Screw (3)	941
B	Screw (2)	3953W
C	Screw (4)	3538
D	Trim strip, black (2)	68055-10BHP