



INSTRUCTIONS

-J01551

REV. 2006-08-24

CHROME REAR FORK

GENERAL

Kit Number

48442-00, 48607-06

Models

For model fitment information, please see the P&A Retail Catalog or the Parts and Accessories section of www.harley-davidson.com (English only).

Additional Parts Required

WARNING

The rider's safety depends upon the correct installation of this kit. Use the appropriate service manual procedures. If the procedure is not within your capabilities or you do not have the correct tools, have a Harley-Davidson dealer perform the installation. Improper installation of this kit could result in death or serious injury. (00333a)

NOTE

This instruction sheet references Service Manual information. A Service Manual for your model motorcycle is required for this installation and is available from a Harley-Davidson Dealer.

Kit Contents

Table 1. Kit Contents

Description (Quantity)	Part Number
Rear fork (swing arm)	Not sold separately
Protective tape	11780

INSTALLATION

Follow the instructions given in the REAR FORK section of the Service Manual to remove and install the rear wheel, rear brake caliper, rear shock absorber bolts, evaporative emissions (EVAP) system charcoal canister (on California models), and rear fork.

The rear fork in this kit installs in the same way as the original equipment rear fork.

Pay close attention to all warnings, cautions, and torque specifications when installing this rear fork.

For 2007 models only: See Figure 1. Install the protective tape (2) to the left-side inner surface of the rear fork as shown.

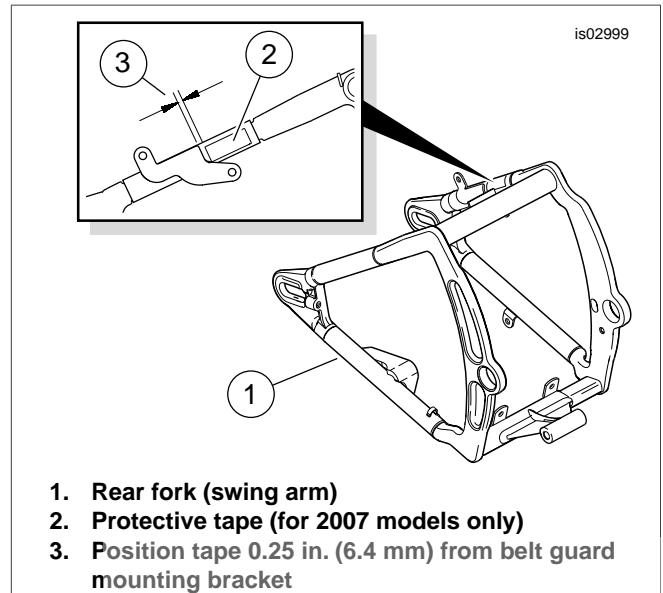


Figure 1. Chrome Rear Fork

