



INSTRUCTIONS

-J03382

REV. 2007-05-11

SOFTAIL SWINGARM FRAME INSERT KIT

GENERAL

Kit Number

47441-04, 47442-04, 48211-08, 48212-08

Models

For model fitment information, please see the P&A Retail Catalog or the Parts and Accessories section of www.harley-davidson.com (English only).

NOTE

A Service Manual for the year and model motorcycle is available from a Harley-Davidson dealer.

Kit Contents

See Figure 1.

INSTALLATION

1. To ensure surface cleanliness, clean the indented insert areas of the frame with a mixture of 50 to 70% isopropyl alcohol and 30 to 50% distilled water. Allow to dry thoroughly.

NOTE

The frame inserts are location specific.

2. Peel the liner from the adhesive backing of one of the frame inserts.
3. Position the insert over the correct indented area on the frame without touching the adhesive to the frame surface. Center the insert over the indentation.
4. Press the insert squarely and firmly into the frame indentation, and hold pressure for about 60 seconds. After releasing pressure, avoid direct contact with the panel for 20 minutes.

5. Repeat for the remaining frame inserts.

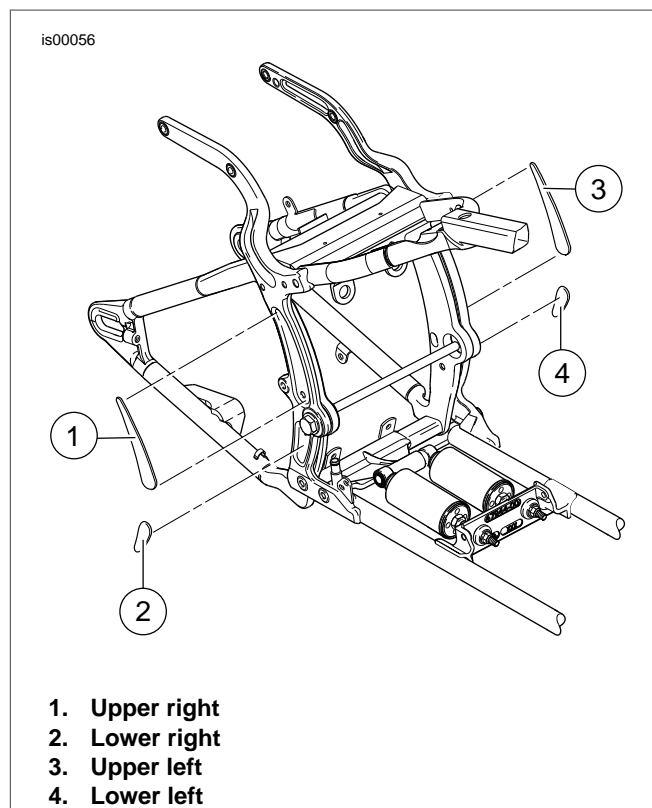


Figure 1. Softail Swingarm Frame Inserts

SERVICE PARTS

NOTE

There are no Service Parts in this kit.

