



# INSTRUCTIONS

-J04818

REV. 2009-02-27

## FXD REAR AXLE NUT COVER KIT

### GENERAL

#### Kit Number

47645-09

#### Models

For model fitment information, see the P&A retail catalog or the Parts and Accessories section of [www.harley-davidson.com](http://www.harley-davidson.com) (English only).

#### Kit Contents

See Figure 1 and Table 1.

### INSTALLATION

#### NOTE

Ambient temperature should be **at least 60 °F (16 °C)** for proper adhesion of the bracket to the rear fork.

1. See Figure 1. Use a mixture of 50-70% isopropyl alcohol and 30-50% distilled water to clean the rear fork (A) areas where the axle nut cover bracket (items 2 and 4) will mount. Allow to dry thoroughly.

#### NOTES

Test-fit the axle nut cover bracket to the rear fork before installation. Do not remove the adhesive backing until ready to apply the bracket.

The axle nut cover brackets are side-specific. The brackets install with the two small tabs at the bottom, extending away from the vehicle.

The large tab extends forward, with the larger hole aligning with the hole (B) in the rear fork.

2. Remove the liner from the adhesive backing of an axle nut cover bracket. Carefully position the bracket to the rear fork, and press firmly into place.
3. Insert a self-tapping screw (5) through the forward tab and into the hole in the rear fork, and tighten to 35-45 **in-lbs** (4.0-5.1 Nm).
4. Hold the bracket in position with steady pressure for about one minute.

#### NOTE

The axle nut covers are side-specific. The covers install with the C-shaped flange to the rear.

5. Position the axle nut cover to the bracket, aligning the holes in the cover **under** the tabs. Insert two machine screws, from the bottom, through the cover and into the bracket tabs. Tighten securely.
6. Repeat on the other side of the rear fork.

### SERVICE PARTS

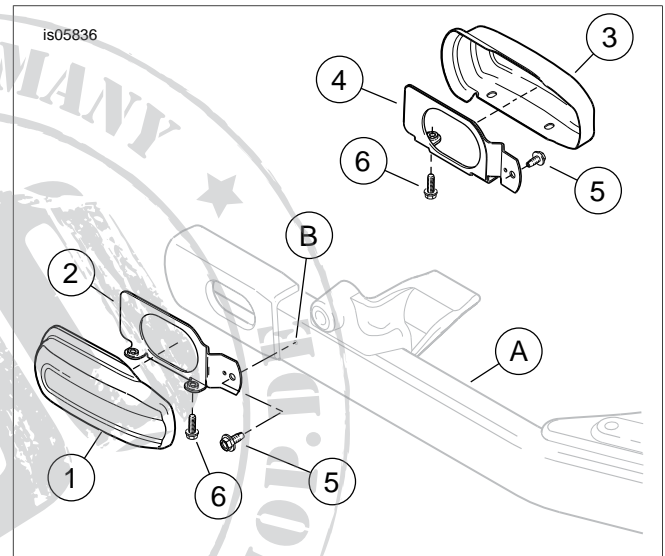


Figure 1. Service Parts, FXD Rear Axle Nut Cover Kit

Table 1. Service Parts

Item	Description (Quantity)	Part Number
1	Rear axle nut cover (right)	42434-09
2	Bracket, rear axle nut cover (right)	42203-09
3	Rear axle nut cover (left)	42418-09
4	Bracket, rear axle nut cover (left)	42202-09
5	Screw, self-tapping (2)	2490
6	Machine screw, hex washer head (4)	3473
<b>Items mentioned in text, but not included in kit.</b>		
A	Rear fork	
B	Hole in rear fork	