



# INSTRUCTIONS

-J04892

REV. 2008-12-10

## FENDER STRUT COVERS, GLOSS BLACK

### GENERAL

#### Kit Number

47498-09

#### Models

For model fitment information, see the P&A Retail Catalog or the Parts and Accessories section of [www.harley-davidson.com](http://www.harley-davidson.com) (English only).

#### Kit Contents

See Figure 1 and Table 1.

There are no Service Parts available with this kit.

### INSTALLATION

1. See Figure 1 and Table 1. Remove the saddlebag by opening the lid and turning the two bail head studs 1/4 turn and remove the studs, washers and grommets.
2. Remove the screw (A) and washer (B) from the grab strap (C) and front saddlebag bracket (D).
3. Remove the rear screw (E) and strut cover from the frame.
4. Repeat steps 1-3 for the opposite side.
5. Reverse steps 1-3 for installation of the new kit strut covers (1 and 2).
6. Tighten the rear strut cover screw to 15-20 ft-lbs (20-27 Nm).

Tighten the frame screw for the grab strap and saddlebag bracket to 12-15 ft-lbs (16-20 Nm).

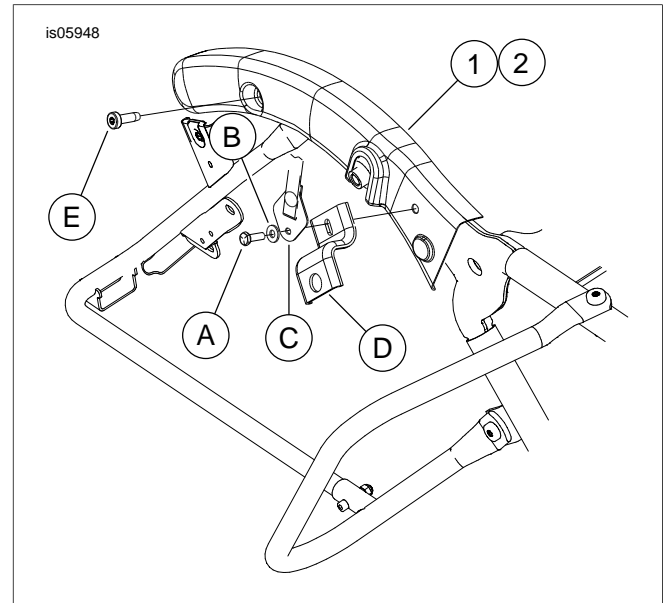


Figure 1. Remove/Install Fender Strut Covers

Table 1. Kit Contents

Item	Description (Quantity)	Part Number
1	Fender strut cover, gloss black, right	Not Sold Separately
2	Fender strut cover, gloss black, left	Not Sold Separately

