



INSTRUCTIONS

-J03754

REV. 2005-10-20

SCREAMIN' EAGLE FORK BRACE KITS

GENERAL

Kit Number

46595-06 and 46634-06

Models

These kits are designed for installation on 49mm diameter forks.

NOTE

These brace kits are not recommended for forks with chrome lower fork legs.

Kit number 46595-06 fits 2006 and later FXDI, FXDBI, FXDCI, FXDLI and 2002 VRSCA, VRSCB, and VRSCD model motorcycles.

Kit number 46634-06 fits 2006 FXDWG model motorcycles.

Kit Contents

See Figure 1 and Table 1.

There are no Service Parts available with this kit.

INSTALLATION

1. See Service Parts illustration. Remove screws (1) and end caps (3 and 4) from brace (2).

2. Loosen screws (2), push brace halves together and insert between fork tubes. Spread the brace to fit tight to the fork tubes and take note of the spacing. Remove the fork brace and tighten screws (2).
3. Insert the fork brace between the fork tubes and set the desired height from top of the front fender.
4. Install the end caps (3 and 4) using screws (1).
5. Tighten end caps screws (1) to 84 **in-lbs** (9.5 Nm).

NOTE

It is very important to tighten all screws evenly and carefully to prevent binding.

WARNING

Failure to provide adequate clearance between stationary and moving parts can cause loss of control, which could result in death or serious injury. (00378a)

NOTE

Check clearance between the fork brace and front end components such as brake hoses and cables. Check all clearances throughout the travel range of the front suspension.

SERVICE PARTS

See Figure 1 and Table 1.

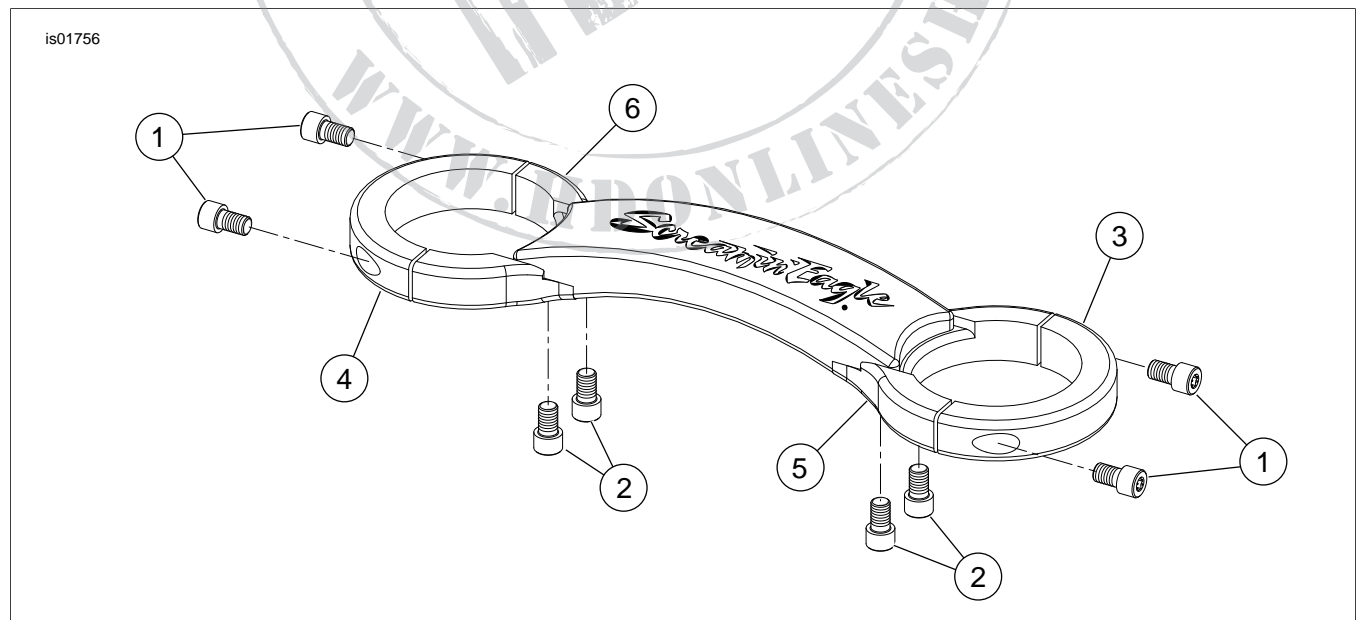


Figure 1. Service Parts: Screamin' Eagle Fork Brace Kit

Table 1. Service Parts Table

Item	Description (Quantity)	Part Number
1	Screw, socket head, 1/4-20 x 0.5 inch (4)	Not Sold Separately
2	Screw, socket head, 5/16-18 x 1.5 inch (2)	Not Sold Separately
3	Front brace half	Not Sold Separately
4	Rear brace half	Not Sold Separately
5	End cap, right	Not Sold Separately
6	End cap, left	Not Sold Separately

