



INSTRUCTIONS

-J03634

REV. 2006-05-23

DYNA CHROME FORK SLIDER KITS

GENERAL

Kit Number

46586-06 and 46589-06

Models

For the most up-to-date model fitment information, please see product label or www.harley-davidson.com.

NOTE

The chrome fork sliders are direct replacements for the standard equipment fork sliders.

Additional Parts Required

WARNING

The rider's safety depends upon the correct installation of this kit. Use the appropriate service manual procedures. If the procedure is not within your capabilities or you do not have the correct tools, have a Harley-Davidson dealer perform the installation. Improper installation of this kit could result in death or serious injury. (00333a)

NOTE

This instruction sheet references Service Manual information. A Service Manual for your model motorcycle is required for this installation and is available from a Harley-Davidson Dealer. We recommend that this kit be installed by a factory-trained technician at your Harley-Davidson dealership. Improper installation of this kit could result in death or serious injury.

- Air impact wrench
- Torque wrench
- Fork spring compression tool
- Damper tube extension tool
- Fork Tube Holder HD-41177
- Front Fork Oil Level Gauge HD-59000-B
- Fork Seal and Bushing Tool HD-45305
- Harley-Davidson Type E Fork Oil (HD-99884-80, 16 oz.).
- Loctite® 243 Threadlocker and Sealant - Blue (99642-97)
- Loctite® Anti-Seize Lubricant (98960-97)

Kit Contents

See Figure 2 and Table 1.

INSTALLATION

The fork sliders included in this kit install in the same manner as the original equipment parts. Refer to the Service Manual for proper installation procedures.

NOTE

Prior to installation of this kit, check the bores of the new sliders to be certain they are free of dirt and debris or damage to the new sliders may occur.

1. Support the motorcycle so the front end is off the floor and the forks are fully extended.
2. Remove front fender, front brake caliper(s), and front wheel following the instructions in the CHASSIS section of the Service Manual.

NOTE

On all models (except FXDWG) the headlamp bracket also needs to be removed to access the front forks. See the Service Manual.

WARNING

Wear safety glasses or goggles when servicing fork assembly. Do not remove slider tube caps without relieving spring preload or caps and springs can fly out, which could result in death or serious injury. (00297a)

3. Remove the front forks. See the CHASSIS section of the Service Manual.
4. Disassemble the front fork tubes following the instructions in the Service Manual.
5. Replace original equipment fork sliders with the chrome fork sliders from one of these kits.
6. Assemble front fork tubes, replacing worn seals, bushings, or other additional parts as needed.
7. Fill with TYPE E FORK OIL following the instructions in the Service Manual.
8. Install front fork and any parts that were removed to access the front forks.
9. Install front fender, front brake caliper(s), and front wheel following the instructions in the CHASSIS section of the Service Manual.

WARNING

Federal Motor Vehicle Safety Standard (FMVSS) 108 requires motorcycles to be equipped with rear and side reflectors. Be sure rear and side reflectors are properly mounted. Poor visibility of rider to other motorists can result in death or serious injury. (00336b)

NOTE

The original equipment front fork reflectors located on both sliders will be removed, cleaned and installed on the new chrome sliders.

is02733



1. Install bottom of reflector 2.0 inches above center of axle

Figure 1. Reflector Placement

10. See Figure 1. Using a piece of dental floss (or similar material) in a back and forth motion, loosen reflector from fork slider at both ends. Rotate reflector from side to side until it can be removed. Retain reflector for future use. Repeat procedure on the opposite side fork slider.

11. Remove any excess adhesive from both reflectors. Surface must be clean for reinstallation.
12. Peel off one side of backing on foam double sided tape. Press firmly on tape to secure it to reflector. Repeat double sided adhesive tape installation on remaining reflector.

NOTE

The bottom edge of reflector should be two inches (50 mm) above the center of the axle shaft.

13. See Figure 1. Remove second side (outside surface) of adhesive backing. Place reflector in position (1) and press reflector firmly into place to activate the adhesive. Repeat for remaining reflector.

⚠ WARNING

Whenever a wheel is installed and before moving the motorcycle, pump brakes to build brake system pressure. Insufficient pressure can adversely affect brake performance, which could result in death or serious injury. (00284a)

14. Pump brakes prior to test riding vehicle.
15. Test ride the vehicle to ensure proper fork travel and rebound.

SERVICE PARTS

is00491

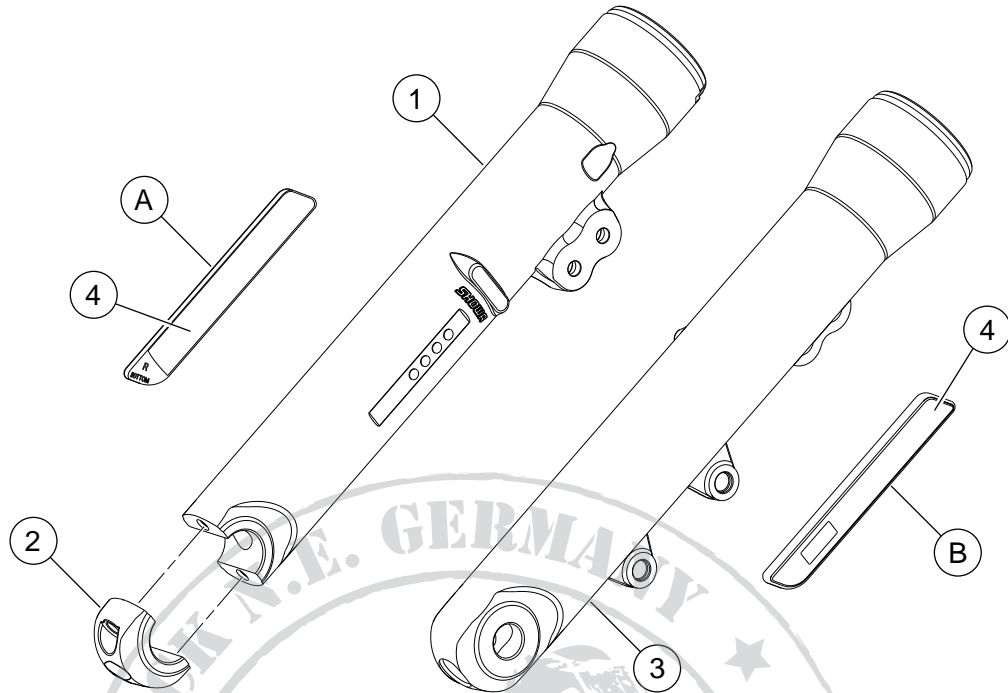


Figure 2. Service Parts: Dyna Chrome Fork Slider Kits

Table 1. Service Parts: Dyna Chrome Fork Slider Kits

Kit	Item	Description (Quantity)	Part Number
Kit 46586-06	1	Fork slider, right side (chrome)	46587-06
	2	Axle holder	41860-06
	3	Fork slider, left side (chrome)	46588-06
	4	Tape, double sided foam (2)	53791-06
Kit 46589-06	1	Fork slider, right side (chrome)	46587-06
	2	Axle holder	41860-06
	3	Fork slider, left side (chrome)	46594-06
	4	Tape, double sided foam (2)	53791-06
Original equipment parts that are reused:			
	A	Reflector, amber, right	59481-00
	B	Reflector, amber, left	59482-00