



INSTRUCTIONS

-J03517

REV. 06-27-2005

Kit Number 46425-05A

CHROME REAR MASTER CYLINDER COVER KIT

General

This kit is designed to be installed on the rear master cylinder on all 2005 and later Touring and 2006 and later Softail model motorcycles.

Installation

CAUTION

Do NOT allow dirt or debris to enter the clutch master cylinder reservoir. Dirt or debris in the reservoir can cause improper operation of the clutch and equipment damage. (00205a)

CAUTION

D.O.T. 4 brake fluid will damage painted and molded-in color surfaces it comes in contact with. Always use caution and protect surfaces from spills whenever brake work is performed. Failure to comply can result in cosmetic damage. (00239a)

1. Clean rear master cylinder cover, then remove two screws that hold cover in place.
2. Remove original cover (with sight glass) and gasket.

3. Put new cover and gasket in position.
4. Install cover screws and tighten screws (1) to 6-8 in-lbs (.7-.9 Nm).

⚠ WARNING

Direct contact of D.O.T. 4 brake fluid with eyes can cause irritation. Avoid eye contact. In case of eye contact flush with large amounts of water and get medical attention. Swallowing large amounts of D.O.T. 4 brake fluid can cause digestive discomfort. If swallowed, obtain medical attention. Use in well ventilated area. KEEP OUT OF REACH OF CHILDREN. (00240a)

NOTE

The cover is labeled for D.O.T. 4 BRAKE FLUID. Install this cover on reservoirs filled only with D.O.T. 4 BRAKE FLUID. Do not mix grades of brake fluid, as they are not compatible and could cause equipment damage.



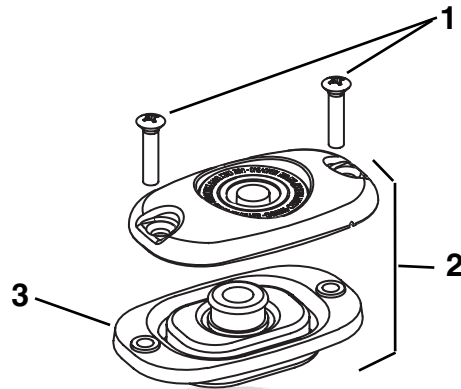
Service Parts

Part No. 46425-05A

Date 06/05

Chrome Rear Master Cylinder Cover Kit

i06525a



<u>Item</u>	<u>Description (Quantity)</u>	<u>Part Number</u>
1	Screws (2)	2573
2	Cover, reservoir assembly	Not Sold Separately
3	Gasket	42568-05

NOTE

Item 2, Chrome Rear Master Cylinder Cover Assembly includes the reservoir cover, gasket and sight glass. The gasket, part number 42568-05 can be purchased separately from any Harley-Davidson dealer.