



INSTRUCTIONS

-J03819

REV. 2006-05-06

UPPER FORK STEM COVERS

GENERAL

Kit Number

46109-06

Models

This kit fits 2006 and later Dyna models.

Kit Contents

See Figure 2 and Table 1.

NOTE

Installation of this kit will require Loctite® 243 (blue), (Harley-Davidson Part Number 99642-97) which is available from any Harley-Davidson dealership.

INSTALLATION

1. See Figure 2. Place smaller slider tube cap covers (2) over slider tubes. Apply Loctite 243 blue to two set screws.
2. See Figure 1. Tighten set screws until covers are secure. The set screws must tighten against a flat (1) of the fork nut as shown.

3. See Figure 2. Remove the stock fork stem nut cover. Place larger fork stem nut cover (4) over fork stem nut. Apply Loctite 243 blue to the remaining set screw (2). Tighten set screw against a fork nut flat until cover is secure.
4. Remove adhesive backing from logos (1). Place logos in desired orientation on covers. Press firmly into place to activate the adhesive.

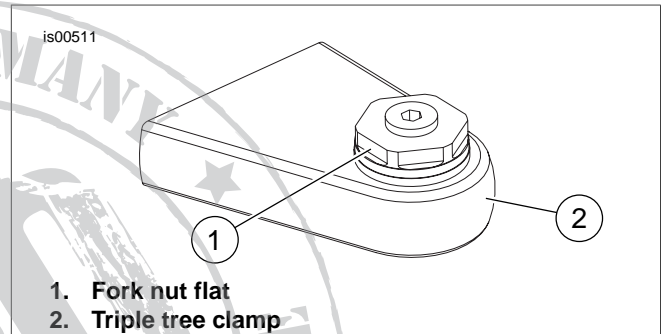


Figure 1. Fork Nut

SERVICE PARTS

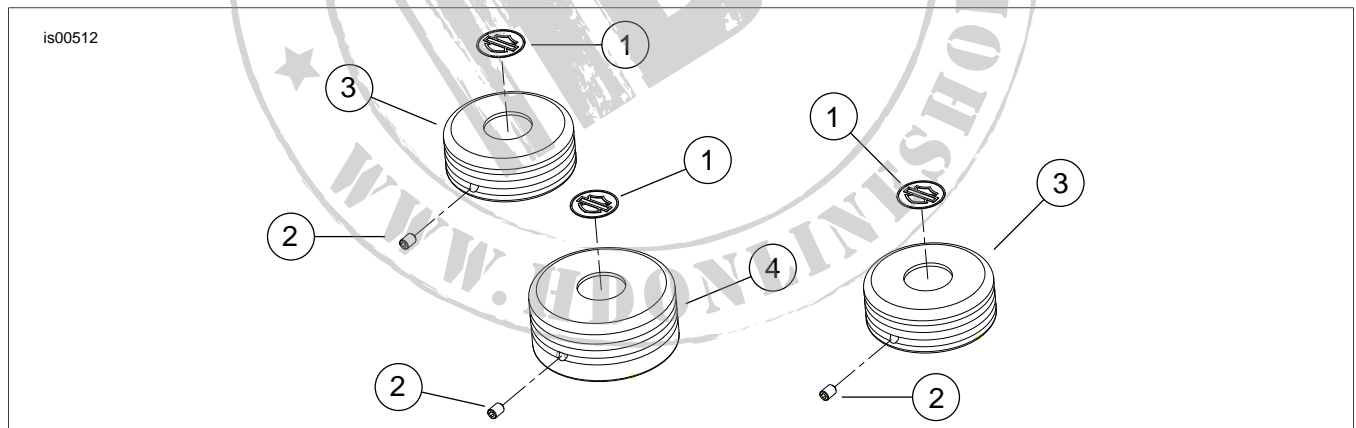


Figure 2. Service Parts: Fork Tube and Stem Cover Kit

Table 1. Service Parts: Fork Tube and Stem Cover Kit

| Item | Description (Quantity) | Part Number |
|------|--------------------------|---------------------|
| 1 | Logo, Bar and Shield (3) | 14448-94 |
| 2 | Set Screw (3) | Not Sold Separately |
| 3 | Cover, fork tube (2) | Not Sold Separately |
| 4 | Cover, fork stem nut | Not Sold Separately |