



INSTRUCTIONS

-J05738

2014-10-03

CHROME/BLACK FORK SLIDERS

GENERAL

Kit Numbers

45500171 (Chrome), 45500172B (Black)

Models

For model fitment information, see the P&A retail catalog or the Parts and Accessories section of www.harley-davidson.com (English only).

These kits are a direct replacement for the original equipment (OE) fork sliders, and install in the same manner.

Installation Requirements

Proper installation of this kit requires the following parts and supplies:

- Loctite[®] 243 Medium Strength Threadlocker and Sealant - Blue (Part Number 99642-97)
- Either Permatex[®] ANTI-SEIZE LUBRICANT (Part Number 98960-97) or Loctite SILVER GRADE ANTI-SEIZE LUBRICANT (Part Number 11100001).
- Type "E" Hydraulic Fork Oil (Part Number 99884-80)

Proper installation of this kit also requires the following special tools:

- FORK HOLDING TOOL (Part Number HD-41177)
- FORK SEAL/BUSHING DRIVER (Part Number HD-45305)
- FRONT FORK OIL LEVEL GAUGE (Part Number HD-59000B)

▲ WARNING

The rider's safety depends upon the correct installation of this kit. Use the appropriate service manual procedures. If the procedure is not within your capabilities or you do not have the correct tools, have a Harley-Davidson dealer perform the installation. Improper installation of this kit could result in death or serious injury. (00333a)

NOTE

This instruction sheet refers to service manual information. A service manual for this year/model motorcycle is required for this installation and is available from a Harley-Davidson dealer.

Kit Contents

See Figure 2 and Table 1.

PREPARATION

NOTE

For vehicles equipped with security siren:

- Verify that the hands-free fob is present. Turn ignition switch ON.

For Vehicles With Main Fuse:

▲ WARNING

To prevent accidental vehicle start-up, which could cause death or serious injury, remove main fuse before proceeding. (00251b)

1. See the service manual and remove the main fuse.

REMOVAL

▲ WARNING

Wear safety glasses or goggles when servicing fork assembly. Do not remove slider tube caps without relieving spring preload or caps and springs can fly out, which could result in death or serious injury. (00297a)

1. Raise the front end of the motorcycle.
2. See the service manual to remove the front fender, front brake calipers and front wheel.

NOTE

On some models, additional parts must also be removed to access the front forks. See the service manual.

3. Remove, drain and disassemble the front forks per the service manual.
4. See the service manual to clean and inspect all parts not being replaced for wear or damage. Replace items as necessary.
5. **For models with fork-mounted reflectors:** Using a piece of dental floss (or similar material) in a back and forth motion, loosen the top and bottom of the reflector from the fork slider. Rotate the reflector from side to side until it can be removed. Save the reflector for later assembly. Repeat for the remaining reflector. Peel off any excess adhesive from both reflectors.

INSTALLATION

The fork sliders included in these kits install in the same manner as the original equipment parts. See the service manual for proper installation procedures.

Pay close attention to all warnings, cautions and torque specifications when installing these fork sliders.

NOTE

Check the bores of the new sliders before installation. Dirt and debris can damage the sliders.



1. Assemble the front fork tubes per service manual instructions, with the following exceptions:
 - a. Replace the original fork sliders with the **new** chrome or black sliders (see Figure 2, items 1 and 2) from the kits.
 - b. Replace the original slider oil seal on each side with a **new** slider oil seal (5) from the kit.
 - c. Replace any other worn seals, bushings or other items as needed.
2. Fill the front forks with Type "E" Hydraulic Fork Oil (Part No. 99884-80) following service manual instructions.
3. Install two **new** O-rings (4) on the fork tube plugs from the kit.
4. Complete the assembly of the front fork tubes per service manual instructions.
5. Install the front forks to the motorcycle per the service manual. Install the front wheel, front brake calipers, front fender and any additional items removed earlier.

⚠ WARNING

Federal Motor Vehicle Safety Standard (FMVSS) 108 requires motorcycles to be equipped with rear and side reflectors. Be sure rear and side reflectors are properly mounted. Poor visibility of rider to other motorists can result in death or serious injury. (00336b)

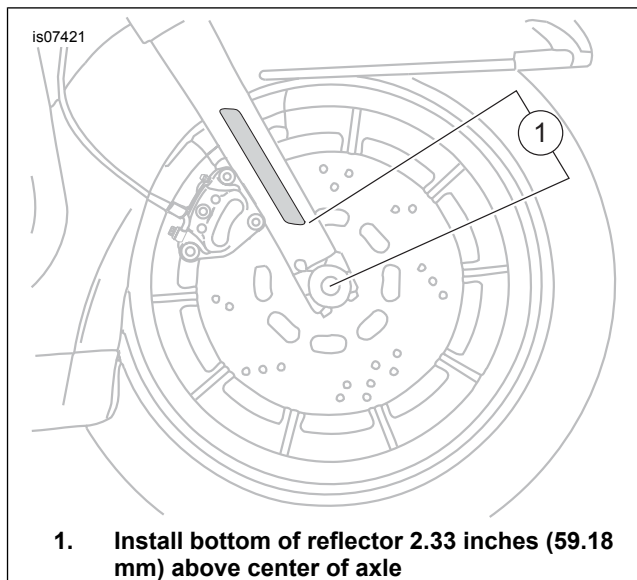
6. For models with fork-mounted reflectors:

- Ambient temperature should be **at least** 16 °C (60 °F) for proper adhesion of the reflectors to the fork sliders.
 - Allow **at least** 24 hours after applying the reflectors before exposing the area to vigorous washing, strong water spray or extreme weather.
 - The adhesive bond will increase to maximum strength after about 72 hours at normal room temperature.
7. Peel the liner from **one side** of the foam double-sided tape (see Figure 2, item 7). Position the tape to the back of the reflector. Press firmly into place. Repeat for the remaining reflector.

NOTE

The reflectors are side-specific. When in proper position, top and bottom edges of the reflector are parallel to the ground, as shown in Figure 1.

8. Clean the reflector mounting area of the fork slider with a mixture of 50 percent isopropyl alcohol and 50 percent distilled water. Allow to dry completely.
9. Peel the remaining liner from the tape. Place the reflector in position on the fork slider. Locate the bottom edge of the reflector 59.18 mm (2.33 in) above the center of the axle shaft as shown. Press firmly into place. Hold the reflector in position with steady pressure for approximately one minute. Repeat for the remaining reflector.



1. Install bottom of reflector 2.33 inches (59.18 mm) above center of axle

Figure 1. Reflector Placement

COMPLETION

NOTE

*Verify that the ignition switch is in the OFF position **before** installing the main fuse or attaching the negative battery cable.*

1. See the service manual and install the main fuse.

⚠ WARNING

Whenever a wheel is installed and before moving the motorcycle, pump brakes to build brake system pressure. Insufficient pressure can adversely affect brake performance, which could result in death or serious injury. (00284a)

⚠ WARNING

After repairing the brake system, test brakes at low speed. If brakes are not operating properly, testing at high speeds can cause loss of control, which could result in death or serious injury. (00289a)

2. Pump the brakes before test riding the motorcycle.
3. Test ride the vehicle to verify proper fork travel and rebound.

SERVICE PARTS

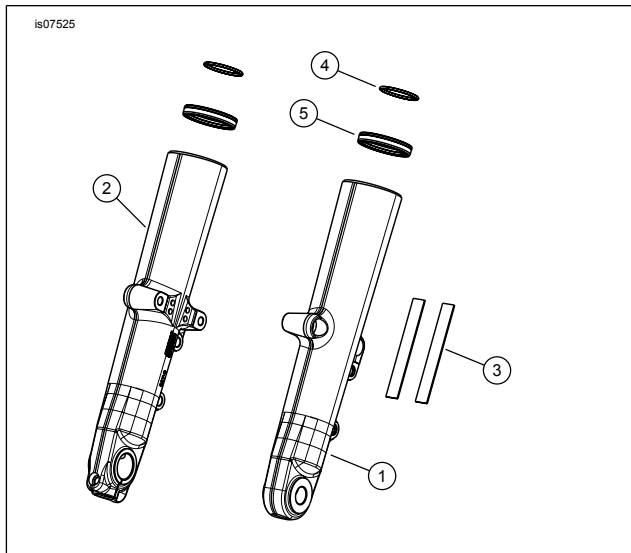


Figure 2. Service Parts: Chrome/Black Fork Sliders

Table 1. Service Parts

Item	Description (Quantity)	Part Number
1	Fork slider, chrome (left)	45500174
2	Fork slider, chrome (right)	45500173
1	Fork slider, black (left)	45500176B
2	Fork slider, black (right)	45500175B
3	Tape, double sided foam (2)	53791-06
4	O-ring (2)	46508-01
5	49 mm Oil seal (2)	46514-01A