



INSTRUCTIONS

-J03516

REV. 2005-06-27

CHROME REAR BRAKE FLUID RESERVOIR COVER KITS

GENERAL

Kit Number

45149-99C

Models

This kit fits rear brake master cylinder on 1999-2004 Touring and 2000-2005 Softail® models.

Kit Contents

See Figure 1 and Table 1.

INSTALLATION

CAUTION

Do NOT allow dirt or debris to enter the master cylinder reservoir. Dirt or debris in the reservoir can cause improper operation and equipment damage. (00205b)

1. Clean rear master cylinder cover, then remove two screws that hold the cover in place.
2. See Figure 1. Replace the original cover, sight glass and gasket with new cover (2), sight glass (4) and gasket (3).

NOTE

The cover is labled for D.O.T. 5 SILICONE BRAKE FLUID. Install this cover on reservoirs filled only with D.O.T. 5 SILICONE BRAKE FLUID. Do not mix grades of brake fluid, as they are not compatible and could cause equipment damage.

3. Install the polished stainless steel cover screws (1) and tighten screws to 6-8 **in-lbs** (0.7-0.9 Nm).

SERVICE PARTS

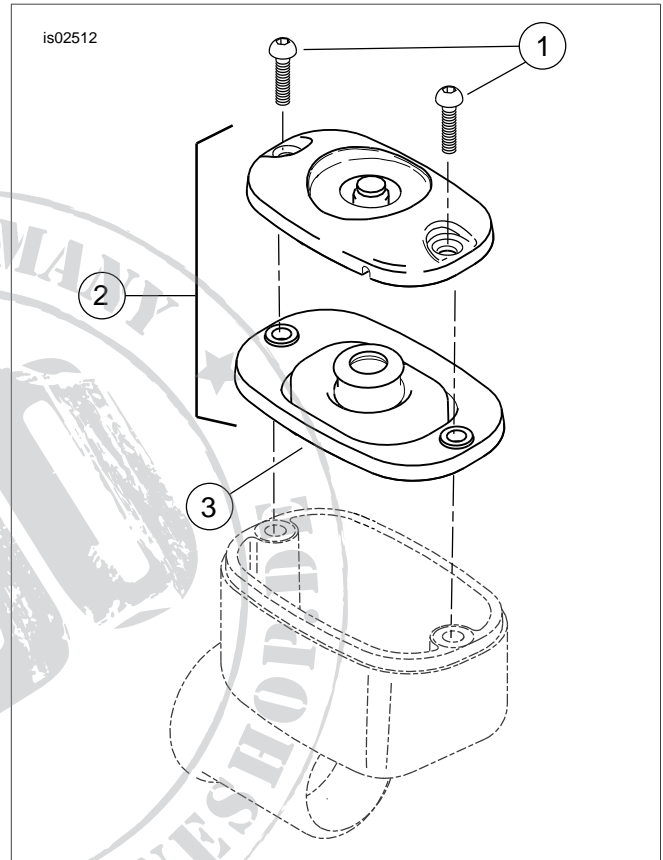


Figure 1. Service Parts: Brake Fluid Reservoir Cover Kit

Table 1. Service Parts: Brake Fluid Reservoir Cover Kit

Item	Description (Quantity)	Part Number
1	Screws (2)	2573
2	Cover, reservoir assembly	Not Sold Separately
3	Gasket	42568-05

NOTE

Part Number 94632-01 can be purchased to replace 2 screws (Part Number 2573).

NOTE

Item 2, Brake Fluid Reservoir Cover Assembly includes the reservoir cover, gasket and sight glass. The gasket, Part Number 42568-05 can be purchased separately from any Harley-Davidson dealer.