



INSTRUCTIONS

-J04431

REV. 2008-05-07

MODULAR DIAMONDBACK BRAKE LINE KITS

GENERAL

For ABS Models:

WARNING

The rider's safety depends upon the correct installation of this kit. Dealer installation is required for vehicles equipped with ABS brakes. Proper installation of this kit requires the use of special tools available only through a Harley-Davidson Dealer. An improperly serviced brake system can adversely affect brake performance, which could result in death or serious injury. (00578b)

For Non-ABS Models:

These instructions describe the installation of upper and lower brake lines on non-ABS Electra Glide®, Street Glide™, Road King® and Road Glide® models ONLY. For installation of the upper brake line on any other model, including ABS, refer to the Instruction Sheet included in the Lower Brake Line Kit for that model.

Kit Numbers

Table 1. Upper Brake Line Kits (Banjo Angle 0° - Straight)

Kit Number	Length	Kit Number	Length
42393-08	18 inch	42527-08	26 inch
42396-08	19 inch	42548-08	28 inch
42399-08	20 inch	42599-08	30 inch
42428-08	21 inch	44081-09	32 inch
42439-08	22 inch	46336-09	34 inch
42461-08	23 inch	46566-09	36 inch
42484-08	24 inch		

Table 2. Upper Brake Line Kits (Banjo Angle 35°)

Kit Number	Length	Kit Number	Length
44106-08	18 inch	44340-08	26 inch
44138-08	19 inch	44355-08	28 inch
44206-08	20 inch	44461-08	30 inch
44213-08	21 inch	40958-09	32 inch
44250-08	22 inch	46711-09	34 inch
44259-08	23 inch	46727-09	36 inch
44306-08	24 inch		

Table 3. Upper Brake Line Kits (Banjo Angle 90°)

Kit Number	Length	Kit Number	Length
44790-08	18 inch	45223-08	26 inch
45007-08	19 inch	45251-08	28 inch
45082-08	20 inch	45260-08	30 inch
45094-08	21 inch	44162-09	32 inch
45131-08	22 inch	46743-09	34 inch
45134-08	23 inch	46747-09	36 inch
45150-08	24 inch		

NOTE

Diamondback™ Upper Brake Line Kits are available in a variety of master cylinder banjo angles and brake line lengths. Shorter or longer lines may be necessary when modifications (i.e., optional handlebars) have been made to the motorcycle. See the P&A Retail Catalog or a Harley-Davidson dealer for more information.

Table 4. Lower Brake Line Kits

Kit Number	Models
44905-08	2008-Later Electra Glide®, Street Glide™
44907-08	2008-Later Road King®, Road Glide®
45818-07	1994-2007 Road King®, Road Glide®
45820-07	1996-2007 Electra Glide®, Street Glide™

Models

For model fitment information, see the P&A Retail Catalog or the Parts and Accessories section of www.harley-davidson.com (English only).

WARNING

Brakes are a critical safety component. Contact a Harley-Davidson dealer for brake repair or replacement. Improperly serviced brakes can adversely affect brake performance, which could result in death or serious injury. (00054a)

⚠ WARNING

The rider's safety depends upon the correct installation of this kit. Use the appropriate service manual procedures. If the procedure is not within your capabilities or you do not have the correct tools, have a Harley-Davidson dealer perform the installation. Improper installation of this kit could result in death or serious injury. (00333a)

Additional Parts Required

NOTE

This instruction sheet covers motorcycle models that use either DOT 4 Hydraulic Brake Fluid or DOT 5 Silicone Hydraulic Brake Fluid. Your model motorcycle's Owner's Manual, Service Manual and the master cylinder cover will all indicate which type of brake fluid should be used for your motorcycle.

⚠ CAUTION

Direct contact of D.O.T. 5 brake fluid with eyes can cause eye irritation, swelling, and redness. Avoid eye contact. In case of eye contact flush with large amounts of water and get medical attention. Swallowing large amounts of D.O.T. 5 brake fluid can cause digestive discomfort. If swallowed, obtain medical attention. Use in well ventilated area. **KEEP OUT OF REACH OF CHILDREN.** (00144a)

⚠ CAUTION

Direct contact of D.O.T. 4 brake fluid with eyes can cause irritation. Avoid eye contact. In case of eye contact flush with large amounts of water and get medical attention. Swallowing large amounts of D.O.T. 4 brake fluid can cause digestive discomfort. If swallowed, obtain medical attention. Use in well ventilated area. **KEEP OUT OF REACH OF CHILDREN.** (00240a)

Fresh, uncontaminated DOT 4 (part number 99953-99A) or DOT 5 brake fluid (part number 99902-77) from a sealed container is required. See the appropriate Service Manual.

⚠ WARNING

Install proper length brake lines. Incorrect brake line length can adversely affect motorcycle operation, which could cause loss of control resulting in death or serious injury. (00325a)

- If you are installing different handlebars, measure the change in distance that will be required from the end of the stock brake line to the brake master cylinder.
- Compare this revised length to the brake line provided in your kit.
- If the line is more than 2.0 in. (50.8 mm) longer or more than 1.0 in. (25.4 mm) shorter than the above measured distance, see a Harley-Davidson dealer for the correct brake line length.

NOTE

This instruction sheet references Service Manual information. A Service Manual for your model motorcycle is required for this installation and is available from a Harley-Davidson dealer.

Kit Contents

See Table 6, Table 7 and Table 8.

REMOVAL

⚠ WARNING

To prevent accidental vehicle start-up, which could cause death or serious injury, remove main fuse before proceeding. (00251b)

1. Refer to the Service Manual and follow the instructions given to disconnect the battery (negative cable first) or remove the main fuse.

CAUTION

D.O.T. 4 brake fluid will damage painted and body panel surfaces it comes in contact with. Always use caution and protect surfaces from spills whenever brake work is performed. Failure to comply can result in cosmetic damage. (00239b)

NOTE

Immediately wipe up any brake fluid spillage with a clean, dry, soft cloth. Follow up by thoroughly wiping affected area with a clean, damp, soft cloth (small spills) or washing with a large quantity of soapy water (large spills).

2. Drain the brake fluid from the front brake reservoir and lines per the instructions in the Service Manual.

NOTE

Cover the front fender and the front of the fuel tank with clean shop towels to prevent scratching. Damage to the finish could result.

3. Disconnect the front brake lines following the instructions in the appropriate Service Manual.
Save the master cylinder banjo bolt, the caliper banjo bolts (for 1994-2007 models), the caliper banjo bleeder bolts (for 2008-later models) and the brake line tee attaching screw for later assembly. Discard all sealing washers.
4. Some stock Touring models are equipped with a locating roll pin on the mounting surface for the lower brake line manifold. Remove the roll pin before installing this brake line kit.

INSTALLATION

1. Verify that the correct upper and lower Brake Line Kits have been obtained.
 - In some cases, the Upper Brake Line Kit has already been specified.
 - In other cases, the proper Upper Brake Line Kit (see Table 1, Table 2 or Table 3) needs to be determined using the Cable and Brake Line Measurement Tool Kit. See a Harley-Davidson dealer for assistance.
 - See Table 4 to determine the correct Lower Brake Line Kit for your model motorcycle.

CAUTION

Avoid leakage. Be sure gaskets, banjo bolt(s) and brake line are clean and undamaged before assembly. (00323a)

- See Figure 1. Obtain the **new** lower brake line assembly (2).

NOTE

The lower brake line manifold tee is mounted so the two lines to the calipers go to the rear and down.

- Position the brake line tee (3) to the underside of the fork stem, and center the lower legs of the brake line between the forks.
- Install the brake line tee attaching screw (4) removed earlier and fasten the tee to the fork stem. Tighten the screw to 10-15 ft-lbs (13.6-20.3 Nm).

NOTE

The brake lines must not contact the forks. If either brake line is touching the fork, loosen the brake tee, reposition and re-tighten.

WARNING

Replace brake line gaskets. Re-using original gaskets can cause brake failure and loss of vehicle control, which could result in death or serious injury. (00318a)

- For Kits 44905-08 and 44907-08 (For 2008-Later Models):** At each front brake caliper, position a **new** copper gasket (2) from the Lower Brake Line Kit on each side of the brake line banjo fitting. Insert the banjo bleeder bolt (removed earlier) through the washers and fitting. Thread the bolt into the caliper and tighten to 17-19 ft-lbs (23.0-25.8 Nm).

For Kits 45818-07 and 45820-07 (For 1994-2007 Models): At each front brake caliper, position a **new** sealing washer (steel/rubber) (2) from the Lower Brake Line Kit on each side of the brake line banjo fitting. Insert the banjo bolt (removed earlier) through the washers and fitting. Thread the bolt into the caliper and tighten to 17-22 ft-lbs (23.0-29.8 Nm).

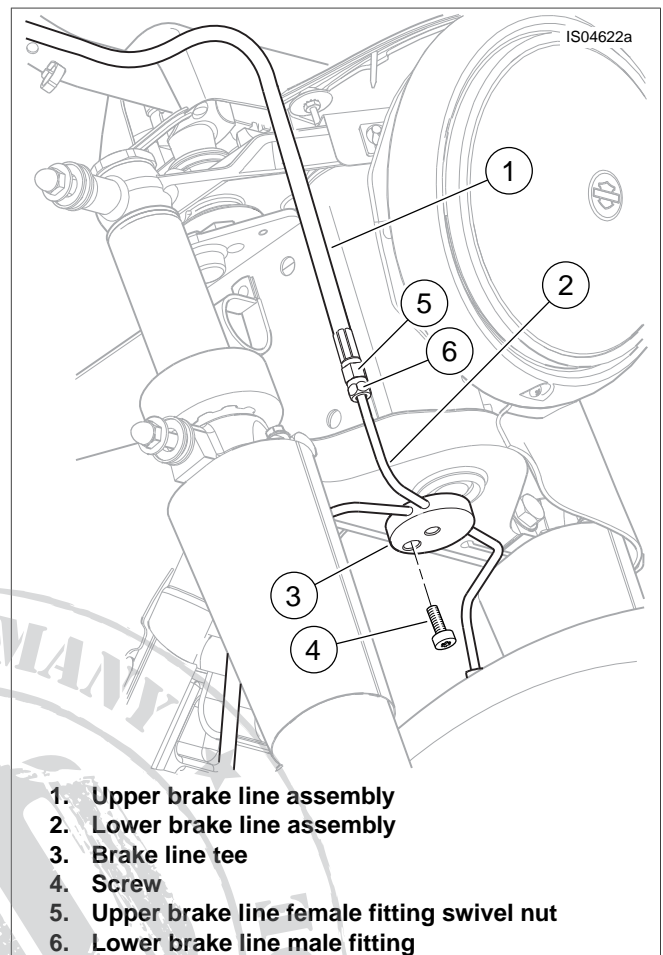


Figure 1. Front Brake Lines (Road King Model Shown)

- Obtain the **new** upper brake line assembly (1). Route the upper brake line from the master cylinder through the fairing or headlamp nacelle area to the male fitting on the upper end of the lower brake line.
- Install the banjo fitting of the **new** upper brake line at the master cylinder, using a **new** copper gasket from the Upper Brake Line Kit on each side of the fitting.
- Install the banjo bolt (removed earlier) snug, but do not fully tighten at this time.
- For Road King and Road Glide models:** Using cable straps (3) from the Lower Brake Line Kit, tie the brake line to the handlebar riser.
For Electra Glide models: Route the upper brake line the same as the original equipment brake line, along the handlebar between the inner fairing and the inner fairing cap.
For ALL models: Review the routing of the upper brake line from the master cylinder, through the fairing or head lamp nacelle area, to the junction of the upper and lower brake lines.
Verify that the routing of the brake line is smooth and does not interfere with any vehicle components. If necessary, adjust the position of the cable straps.
- See Figure 1. Position the upper brake line female fitting swivel nut (5) to the male fitting (6) on the lower brake line. Thread the nut onto the male fitting finger-tight, do not twist the upper or lower brake lines while tightening.

Using two 7/16 inch open-end wrenches, tighten the nut snugly (about 1/4 to 1/2 additional turn).

Brake Line Routing Check

1. Using a motorcycle lift, raise the vehicle frame so that the front forks reach maximum extension. Verify that the lower brake lines are not pulled tight when forks are fully extended.
2. Fully compress the forks to check that the lower brake lines do not interfere with motorcycle components.
3. Turn the handlebars to the full-left and full-right fork stops to verify smooth routing and proper slack in the brake lines, and to verify the brake lines do not contact any vehicle components.
4. Adjust the brake lines and/or banjo fitting orientation if the brake lines interfere or catch on motorcycle components, or if the routing does not appear correct.

See Table 5. When all adjustments are complete, tighten the master cylinder banjo bolt to specification.

Table 5. Banjo Bolt Torque Values

Models	Master Cylinder Banjo Bolt Torque
1994-2007 Models	17-22 ft-lbs (23.0-29.8 Nm)
2008-Later Models	12.5-14.5 ft-lbs (17-20 Nm)

FINAL ASSEMBLY

NOTE

This instruction sheet covers motorcycle models that use either DOT 4 Hydraulic Brake Fluid or DOT 5 Silicone Hydraulic Brake Fluid. The specific model's Owner's Manual, Service Manual and the master cylinder cover will all indicate which type of brake fluid should be used for your motorcycle.

WARNING

Use fresh D.O.T. 4 fluid. Contaminated fluid can adversely affect braking, which could result in death or serious injury. (00504b)

NOTES

Do not mix grades of brake fluid as they are not compatible.

Immediately wipe up any brake fluid spillage with a clean, dry, soft cloth. Follow up by thoroughly wiping affected area with a clean, damp, soft cloth (small spills) or washing with a large quantity of soapy water (large spills).

Cover nearby motorcycle surfaces with a polyethylene protective sheet to help protect against damage to finish caused by spillage or splash of DOT 4 brake fluid.

1. Add the appropriate brake fluid to the master cylinder reservoir following the instructions in the appropriate Service Manual. Do not reuse old brake fluid. Only use fluid from a sealed container.

WARNING

Be sure the master cylinder relief port is not plugged. A plugged relief port can cause brake drag or lockup and loss of vehicle control, which could result in death or serious injury. (00317a)

2. Verify proper operation of the master cylinder relief port. Actuate the brake hand lever. A slight spurt of fluid will break the fluid surface in the reservoir compartment if all internal components are working properly.
3. Bleed the brake system following the instructions in the appropriate Service Manual.

NOTE

Before installing the master cylinder cover, verify that the cover gasket bellows is not expanded. If bellows is expanded, brake fluid will be ejected from the reservoir during cover installation, which could damage the vehicle finish.

4. Note that the shape of the master cylinder cover has one end thinner than the other.

For 2008 Models: Install the cover (with gasket compressed) on the master cylinder reservoir so the thinner end is positioned above the brake line fitting.

For 1994-2007 Models: Install the cover (with gasket compressed) on the master cylinder reservoir so the thicker end is positioned above the brake line fitting.

For All Models: Install two screws to fasten the cover to the reservoir. Tighten the screws to 6-8 **in-lbs** (0.7-0.9 Nm).

5. Verify that the ignition/key switch is turned to the OFF position.
6. Refer to the Service Manual and follow the instructions to install the main fuse or connect the battery cable.
7. Turn the ignition/key switch to IGNITION, but do not start the motorcycle. Actuate the front brake hand lever to verify operation of the brake lamp.
8. Install any other removed components following the instructions in the appropriate Service Manual.

WARNING

After repairing the brake system, test brakes at low speed. If brakes are not operating properly, testing at high speeds can cause loss of control, which could result in death or serious injury. (00289a)

9. Test ride the motorcycle. If the brake feels spongy, repeat the bleeding procedure.

SERVICE PARTS

Table 6. Service Parts, Upper Brake Line Kits

Item	Description (Quantity)	Part Number
1	Brake line assembly, upper (Diamondback™)	Not Sold Separately
2	Copper gasket, brake line (2)	41751-06A
3	Cable strap (3)	10006

Table 7. Service Parts, Lower Brake Line Kits 44905-08 and 44907-08

Item	Description (Quantity)	Part Number
1	Brake line assembly, lower (Diamondback™)	Not sold separately
2	Copper gasket, brake line (4)	41751-06A
3	Cable strap (3)	10006

Table 8. Service Parts, Lower Brake Line Kits 45818-07 and 45820-07

Item	Description (Quantity)	Part Number
1	Brake line assembly, lower (Diamondback™)	Not sold separately
2	Sealing washer (4)	41731-01
3	Cable strap (3)	10006

