



# INSTRUCTIONS

-J02448

REV. 08-21-2003

Kit Number 44432-04

## CHROME HEADBOLT BRIDGE KIT

### General

This kit fits all 2004 and later XL (Sportster®) models.

See the Service Parts illustration for kit contents.

### Installation

#### **WARNING**

**Perform this installation when the engine is cool. Installing this kit when the engine is still hot could result in burns or other serious injury.**

#### NOTE

*These headbolt covers are designed to specifically fit only the front or rear position. "FRONT" or "REAR" is cast into the inside surface to identify the correct part for each position.*

1. Disconnect the spark plug boot from the front spark plug.
2. See the Service Parts illustration. Install the headbolt mounts (1) to the head bolts and tighten the setscrews (4) securely.
3. Place the headbolt cover (8) marked "FRONT" onto the cylinder head, over the spark plug and the two mounts installed in Step 2. Insert the capscrews (3) through the top of the headbolt cover, aligning with the threaded holes in the top of the cover mounts. Tighten securely.
4. Connect the spark plug boot to the front spark plug.
5. Repeat Steps 1 through 4 for the rear headbolt cover.



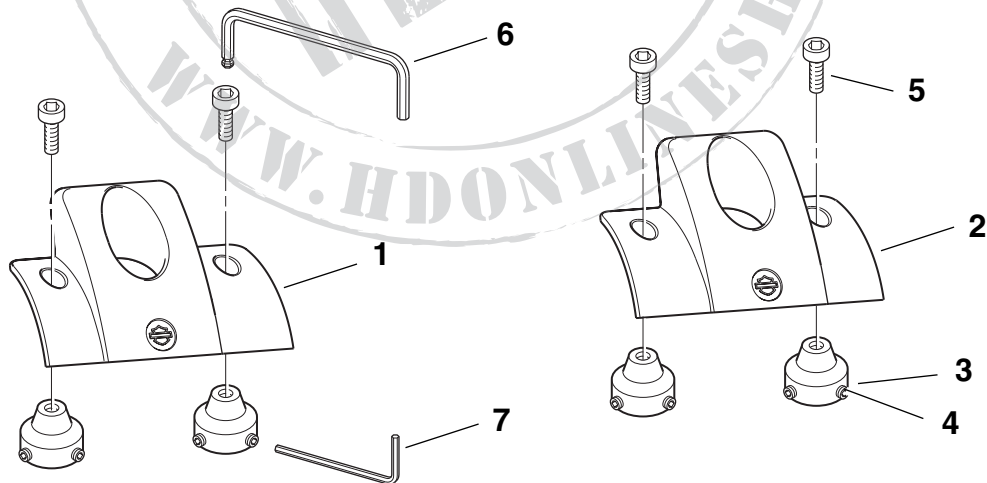
## Service Parts

Part No. 44432-04

Date 08/03

Chrome Headbolt Cover Kit

i02417



Item	Description (Quantity)	Part No.	Item	Description (Quantity)	Part No.
1	Headbolt bridge (front)	Not sold separately	5	Cap screw, hex socket, #10-32 x 3/8 inch (4)	Not sold separately
2	Headbolt bridge (rear)	Not sold separately	6	Wrench, 5/32 in hex key	Not sold separately
3	Mount assembly, headbolt cover (with set screws) (4)	43874-00A	7	Wrench, 3/32 in hex key	Not sold separately
4	Set screw (2)	3318			