



INSTRUCTIONS

-J03853

REV. 2005-06-27

DYNA REAR AXLE COVER KIT

GENERAL

Kit Number

44346-06

Models

This kit fits 2006 Dyna models. This kit does not fit on motorcycles equipped with saddlebags.

Kit Contents

See Figure 1 and Table 1.

INSTALLATION

1. Place axle covers in position over ends of swingarm with the deeper cover on the left side (covering the axle nut).
2. Fasten the clamping bars (3) to the backs of the covers using hex-head screws (5) and Belleville washers (4), securing the covers to the swingarm. Tighten the hex-head screws to 21-27 **in-lbs** (2.4-3.0 Nm). Do not overtighten

SERVICE PARTS

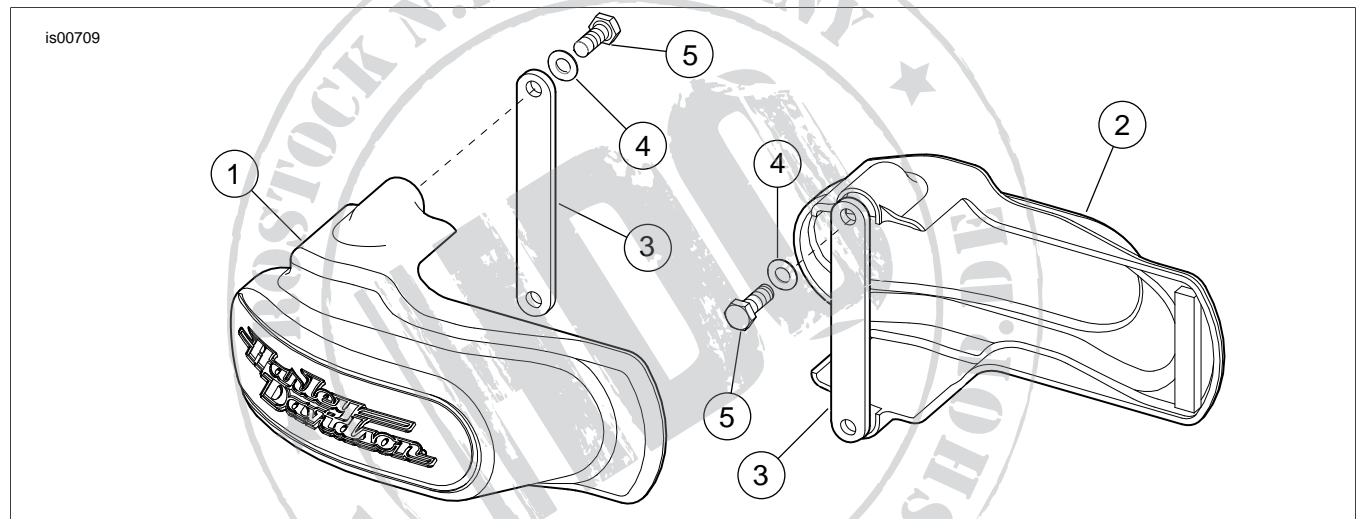


Figure 1. Service Parts: Dyna Swingarm Axle Cover

Table 1. Service Parts Table

| Item | Description (Quantity) | Part Number | Item | Description (Quantity) | Part Number |
|------|------------------------|---------------------|------|------------------------------|-------------|
| 1 | Axle cover, left side | Not Sold Separately | 4 | Washer, Bellville (4) | 45159-97 |
| 2 | Axle cover, right side | Not Sold Separately | 5 | Screw, #10-24 x 1/2 inch (4) | 3644 |
| 3 | Clamping bar (2) | Not Sold Separately | | | |