



# INSTRUCTIONS

-J04541

REV. 2008-01-18

## REAR AXLE COVERS

### GENERAL

#### Kit Number

44345-09

#### Models

For model fitment information, see the P&A Retail Catalog or the Parts and Accessories section of [www.harley-davidson.com](http://www.harley-davidson.com) (English only).

#### Additional Parts Required



The rider's safety depends upon the correct installation of this kit. Use the appropriate service manual procedures. If the procedure is not within your capabilities or you do not have the correct tools, have a Harley-Davidson dealer perform the installation. Improper installation of this kit could result in death or serious injury. (00333a)

#### NOTE

This instruction sheet references Service Manual information. A Service Manual for your model motorcycle is required for this installation and is available from a Harley-Davidson Dealer.

#### Kit Contents

See Figure 4 and Table 1.

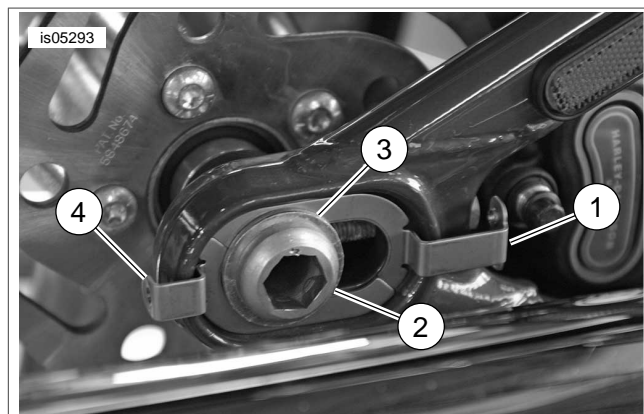
### INSTALLATION

#### Install Mounting Brackets

#### NOTE

It is not necessary to remove rear wheel for this installation.

1. Block vehicle under frame so all weight is off rear wheel, and so tire is slightly raised off the floor following instructions in the appropriate Service Manual.
2. Remove left rear axle nut and washer. Discard washer. Set nut aside for later use.
3. Slide rear axle from hub to provide sufficient clearance for mounting bracket, but do not remove rear axle or rear wheel.



1. Split bracket, upper
2. Axle
3. Washer
4. Split bracket, lower

Figure 1. Right Axle Bracket

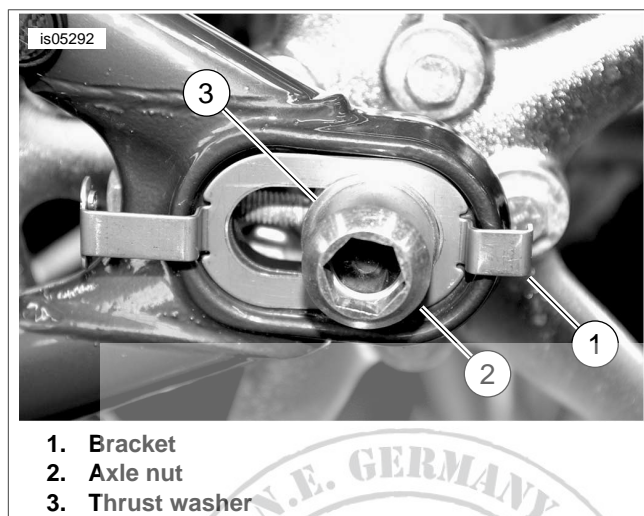


Figure 2. Left Axle Bracket

4. See Figure 1. Position mounting bracket on right side of vehicle. While holding upper bracket (1) and lower bracket (4) in place, slide axle (2) and washer (3) back into position.
5. See Figure 2. Position one mounting bracket (1) on left swingarm, as shown.
6. Complete axle bracket installation by reinstalling thrust washer (3) (from kit) and nut (2) removed in Step 2. Tighten axle nut to 95-105 ft-lbs (128.8-142.4 Nm).

## WARNING

Check wheel bearing end play after tightening axle nut to specified torque. Excessive end play can adversely affect stability and handling. Insufficient end play can cause bearing seizure. Either condition can cause loss of control, which could result in death or serious injury. (00285a)

7. Check wheel bearing end play following the instructions in the appropriate Service Manual.
8. Verify belt drive tension following the instructions in the appropriate Service Manual.

### Install Swingarm Axle Covers

1. See Figure 3. Place left cover (1) over mounting bracket tabs on left side of vehicle. While holding cover in place, insert one screw (2) included with kit into each of three holes in cover and bracket. Tighten securely with a hex wrench.
2. Repeat this procedure for right cover on right side of vehicle.
3. Test ride motorcycle for proper operation.



Figure 3. Axle Cover Installed

## SERVICE PARTS

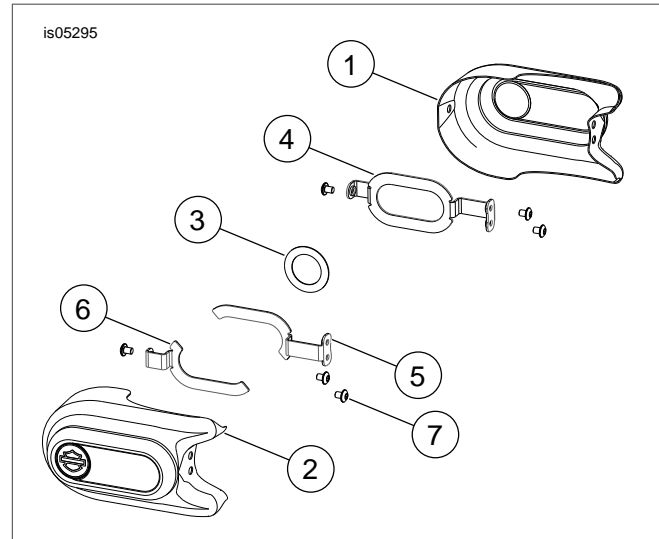


Figure 4. Service Parts: Rear Axle Covers

Table 1. Service Parts Table

Item	Description (Quantity)	Part Number
1	Axle cover, left side with Bar & Shield	48165-09
2	Axle cover, right side with Bar & Shield	48168-09
3	Thrust washer	6553
4	Axle cover bracket	48032-09
5	Axle cover bracket, top	48066-09
6	Axle cover bracket, bottom	48030-09
7	Buttonhead screw (6)	3047

