



INSTRUCTIONS

-J04051

REV. 2011-06-03

SLOTTED 6-SPOKE FRONT WHEEL KITS

GENERAL

⚠ WARNING

Install only wheels and installation kits approved for your model motorcycle. Contact a Harley-Davidson dealer to verify fitment. Mismatching wheels and installation kits or installing wheels not approved for your model can cause loss of control, which could result in death or serious injury. (00610c)

Kit Numbers

43920-08, 43921-08, 43973-08, 43918-07, 43919-07, 44058-07, 44057-07, 44055-07, 44056-07, 43924-07, 43925-07, 43538-09, 43549-09, 43577-09

Models

For model fitment information, see the P&A Retail Catalog or the Parts and Accessories section of www.harley-davidson.com (English only).

NOTE

Accessory hub caps are not compatible with this wheel.

Kit Contents

These kits include the custom wheel, and depending on the kit, may also include a hub cap. See Table 2 for kit contents.

Additional Parts Required

If installing Kits 43577-09, 43549-09 or 43538-09 on a vehicle originally equipped with stock cast wheels, separate purchase of a stock floating brake rotor (42040-06) is required.

Proper installation of this kit requires the separate purchase of the following parts which are available at a Harley-Davidson dealer:

- Wheel Installation Kit (See Table 3 through Table 9 to determine required installation kit.)
- Brake Disc Screws (See Figure 1 and Table 1.)
- Wheel Bearing Remover and Installer (94134-09A)

The following Harley-Davidson Genuine Motor Accessories are recommended for proper maintenance and cleaning:

- Harley® Bright™ Chrome Cleaner (94683-99)
- Harley® Glaze™ Polish and Sealant (99701-84)
- Harley® Wheel and Spoke Brush (43078-99)
- Harley-Davidson® Wheel and Tire Cleaner (94658-98)
- Harley® Preserve Bare Aluminum Protectant (99845-07)

⚠ WARNING

The rider's safety depends upon the correct installation of this kit. Use the appropriate service manual procedures. If the procedure is not within your capabilities or you do not have the correct tools, have a Harley-Davidson dealer perform the installation. Improper installation of this kit could result in death or serious injury. (00333a)

NOTE

This instruction sheet references service manual information. A service manual for your model motorcycle is required for this installation and is available from a Harley-Davidson dealer.

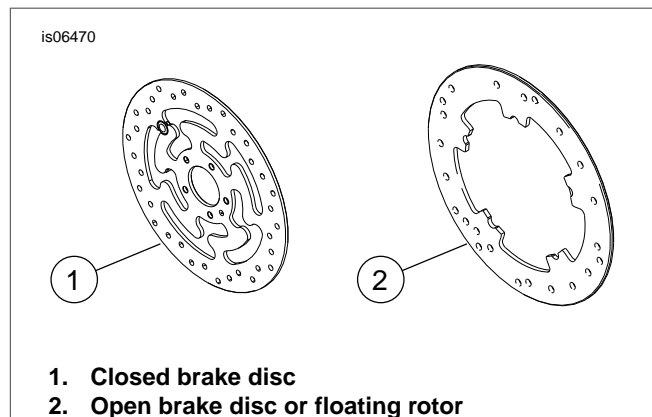


Figure 1. Front Brake Disc Styles

Table 1. Front Disc Hardware Fitment

Brake Disc	Hardware
Closed disc	5 Stock disc screws (3655A)
	Chrome screw kit (46646-05) includes 5 screws
Open disc	5 Stock disc screws (3762M) and 5 disc washers (6966M)

NOTE: Models equipped with dual front brakes and models being equipped with a wheel with dual brake mounting surfaces require twice as many screws/washers (10 total screws or 2 chrome screw kits if available).

INSTALLATION

1. Remove existing front wheel assembly. Save axle, axle nut, brake disc and wheel spacers for kit installation. Refer to FRONT WHEEL in service manual.

For FLSTC and FLSTN Models: Discard moon-style hub cap.

For FXSTD Models: Discard tapered spacer.

NOTE

- Install long valve stem (43206-01) included in the installation kit. Discard all other valve stems.
2. See Figure 2. Install valve stem assembly (L, M or N) on wheel. Refer to TIRES in service manual.

NOTICE

Do not re-use brake disc/rotor screws. Re-using these screws can result in torque loss and damage to brake components. (00319c)

NOTES

Install the primary bearing first using appropriate service manual and WHEEL BEARING REMOVER/INSTALLER.

For Kits 43918-07 and 43919-07:

- The side of the wheel with the valve stem and directional arrow is the right side of the wheel.
- The left side of the wheel is the primary bearing side.

For Kits 43920-08 and 43921-08:

- The left side of the wheel has a machined groove in the hub face to identify it as the primary bearing side.
- Install the wheel so that the valve stem is on the right side of the motorcycle.

For Kits 44055-07, 44056-07, 44057-07, 44058-07, 43538-09, 43549-09 and 43577-09:

- The wheel should be installed so that the hub markings are on the left side of the motorcycle. An arrow cast into the rim of Kits 44055-07, and 44056-07 indicates the direction of rotation. A groove is machined in the left-side hub face to indicate the primary bearing side.
- For dual brake disc models, install the brake disc according to the service manual. The chrome hub cap (2) is not used.
- For single brake disc models, install the brake disc according to the service manual. The chrome hub cap (2) is installed on the opposite side of the wheel from the brake disc.
- For Kits 44055-07 and 44056-07: The gross axle weight ratings is unaffected by the installation of this wheel on a vehicle equipped with a 19-inch wheel.
- For Kits 44057-07 and 44058-07: The gross axle weight ratings is unaffected by the installation of this wheel on a vehicle equipped with a 21-inch wheel.

For Kit 43924-07, 43925-07 and 43973-08:

- For 2006 and later FXDWG Models: When correctly installed, the tire will be 0.08-0.2 in (2-5 mm) off of center, compared to the fender.
 - The right side of the wheel has a machined groove in the hub face. An arrow is cast into the rim on the right side to indicate the direction of rotation.
 - For 2007 and later FX Softail Models and 2008 and later FXDWG Models: The left side of the wheel is the primary bearing side. For all other models the right side of the wheel is the primary bearing side.
 - **For FXSTS Models:** The brake disc is installed on the right side of the wheel.
 - **For all other models:** The brake disc is installed on the left side of the wheel.
3. Assemble the wheel installation kit components and brake disc(s) to wheel, using the appropriate service parts table. Refer to FRONT WHEEL in Service Manual.
4. **For FLSTC and FLSTN Models:** Install wheel kit and right side wheel spacer provided in installation kit. Refer to FRONT WHEEL in Service Manual.
- For FXSTS Models:** Install the spacer provided in the installation kit between the stock left side spacer and the left fork.
- For FXSTD Models:** Install wheel kit, stock wheel spacer and right side wheel spacer to replace the tapered spacer discarded in Step 1. Refer to FRONT WHEEL in service manual.
- For all other models:** Install previously removed wheel spacers. Refer to FRONT WHEEL in service manual.
5. Install front wheel (1), stock axle and stock axle nut. Refer to FRONT WHEEL in service manual.

MAINTENANCE AND CLEANING

Chrome parts must be maintained regularly so they keep their original shine and luster.

1. Clean heavily-soiled wheel surfaces using Harley-Davidson Wheel and Tire Cleaner applied with the Harley Wheel and Spoke Brush.
2. Thoroughly clean chrome with a good quality chrome cleaner, such as Harley Bright Chrome Cleaner.
3. After cleaning and polishing, seal the finish with a good quality sealer, such as Harley Glaze Polish and Sealant.

SERVICE PARTS

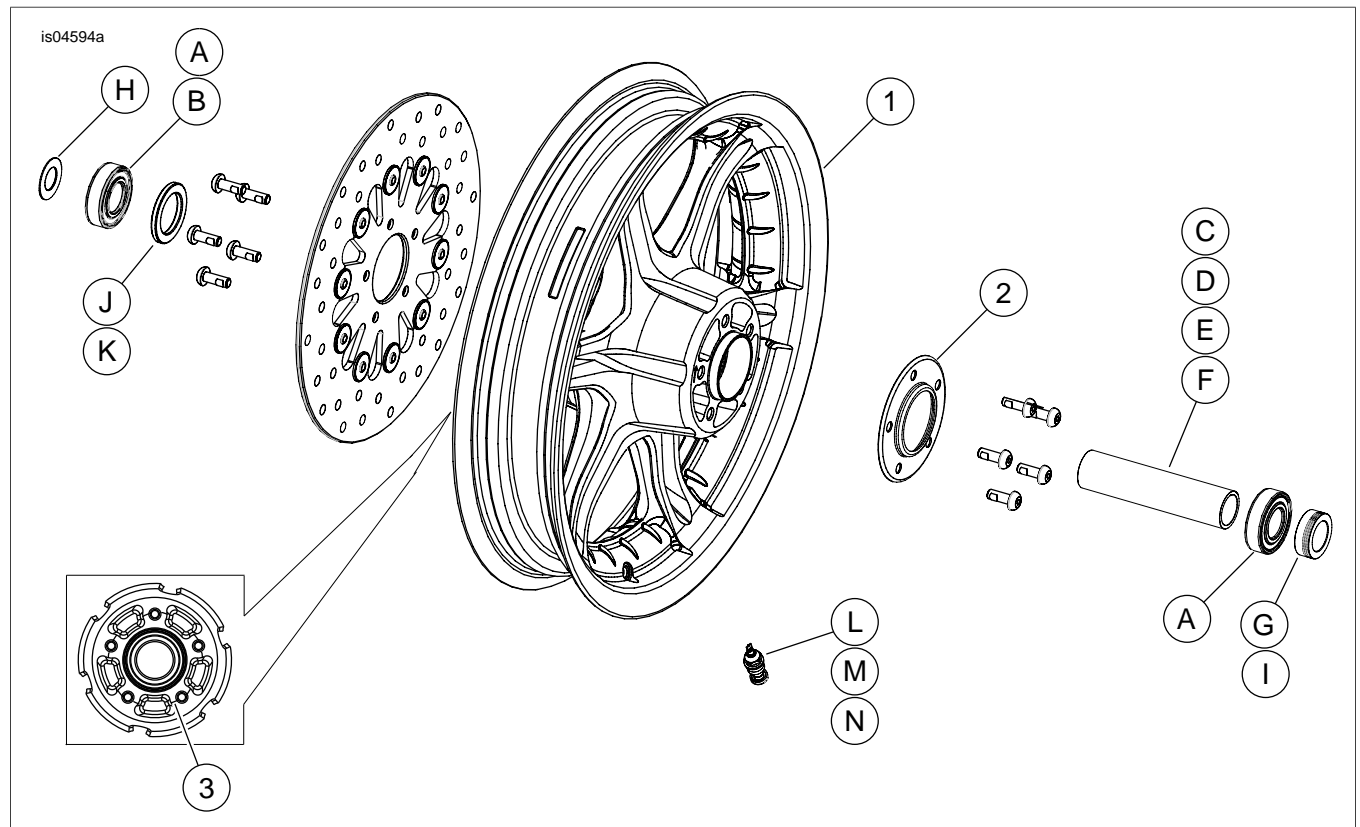


Figure 2. Service Parts: Front Slotted Six-Spoke Wheel (16-inch wheel shown)

Table 2. Service Parts and Wheel Kit Contents

Kit	Item	Description (Quantity)	Part Number
43920-08, 43921-08	1	Wheel	Not Sold Separately
43918-07, 43919-07, 44058-07, 44057-07, 44055-07, 44056-07, 43924-07, 43925-07, 43973-08, 43538-09, 43549-09, 43577-09	1 2	Wheel Hub cap	Not Sold Separately 43986-00
Visual indicator mentioned in text:			
	3	Machined groove (all wheels)	

Table 3. FRONT 3/4 Inch Bearing Wheel Installation Kit (43833-07A)

FRONT 3/4 Inch Bearing Wheel Installation Kit (43833-07A)		ITEM (Quantity Used and Description)									
Fitment	Wheel Size	A	C	D	E	G	H	I	L	M	
2000-2006 FLST and FLSTF (except 2006 FLSTFSE2)	16 x 3.0 in	2	0	1	0	0	0	0	*	*	
2000-2006 FLSTC and FLSTN	16 x 3.0 in	2	0	1	0	0	0	1	*	*	
2006 FLSTFSEi	17 x 3.5 in	2	0	1	0	0	0	1	*	*	
2008-later FLSTSB	18 x 3.5 in	2	0	***	0	***	0	0	*	*	
2000-2007 XL; 2000-2003 Dyna (except FXDWG)	19 x 2.5 in	2	0	0	1	0	0	0	*	*	
2000-2007 XL; 2000-2003 Dyna (except FXDWG)	21 x 2.15 in	2	0	0	1	0	0	0	*	*	
2000-2006 FXST/B/C; 2000-2005 FXDWG**	21 x 2.15 in	2	1	0	0	0	0	0	*	*	
2000-2006 FXSTS**	21 x 2.15 in	2	1	0	0	0	1	0	*	*	

Table 3. FRONT 3/4 Inch Bearing Wheel Installation Kit (43833-07A)

FRONT 3/4 Inch Bearing Wheel Installation Kit (43833-07A)		ITEM (Quantity Used and Description)									
Fitment	Wheel Size	A	C	D	E	G	H	I	L	M	
2000-2006 FXSTD (Except FXSTDSE)**	21 x 2.15 in	2	1	0	0	1	0	0	*	*	
Installation kits are designed to work with many different wheel styles and fitments. Contact a Harley-Davidson dealer to verify that the wheel and installation kits are both designed and approved for the motorcycle they are being installed on. NOTES: * See NOTE above valve installation step in INSTALLATION to determine which valve stem to use for your particular kit. Discard other valve stem(s). ** The right side of the wheel is the primary bearing side for this fitment. *** See INSTALLATION section for separate hardware kit to be used for FLSTSB models.		A	Bearing, regular (2)		9267						
		C	Axle sleeve		43536-00						
		D	Axle sleeve		43608-00						
		E	Axle sleeve		43613-00						
		G	Spacer, axle		40910-00A						
		H	Spacer, axle		43313-98						
		I	Spacer, wheel		43617-00A						
		L	Valve stem, short		43157-83A						
		M	Valve stem, long		43206-01						

Table 4. FRONT 1 Inch Bearing Wheel Installation Kit (43848-08A)

FRONT 1 Inch Bearing Wheel Installation Kit (43848-08A)		ITEM (Quantity Used and Description)							
Fitment	Wheel Size	A	C	D	E	F	L	M	
2000-2007 Touring	16 x 3.0 in	2	1	0	0	0	*	*	
2004-2007 Touring	18 x 3.5 in	2	1	0	0	0	*	*	
2004-2005 Dyna (except FXDWG)	19 x 2.5 in	2	0	0	0	1	*	*	
2006-2007 Dyna (except FXDWG)	19 x 2.5 in	2	0	0	1	0	*	*	
2002-2007 VRSC	19 x 3.0 in	2	0	0	1	0	*	*	
2006-2007 FXDWG**	21 x 2.15 in	2	0	1	0	0	*	*	
2004-2005 Dyna (except FXDWG)	21 x 2.15 in	2	0	0	0	1	*	*	
Installation kits are designed to work with many different wheel styles and fitments. Contact a Harley-Davidson dealer to verify that the wheel and installation kits are both designed and approved for the motorcycle they are being installed on. NOTES: * See NOTE above valve installation step in INSTALLATION to determine which valve stem to use for your particular kit. Discard other valve stem(s). ** The right side of the wheel is the primary bearing side for this fitment.		A	Bearing, regular (2)		9247				
		C	Axle sleeve		43517-00				
		D	Axle sleeve		43633-06				
		E	Axle sleeve		43641-01				
		F	Axle sleeve		43755-04				
		L	Valve stem, short		43157-83A				
		M	Valve stem, long		43206-01				

Table 5. FRONT 25 mm Bearing Wheel Installation Kit (41452-08C)

FRONT 25 mm Bearing Wheel Installation Kit (41452-08C)		ITEM (Quantity Used and Description)									
Fitment	Wheel Size	A	C	D	E	J	K	L	M	N	
2010 and later XL1200X; 2011 and later XL1200C	16 x 3.0 in	2	0	0	1	0	0	*	*	*	
2008 and later FXCW and FXCWC (non-ABS)	19 x 2.5 in	2	1	0	0	1	0	*	*	*	
2008 and later FXCW and FXCWC (non-ABS)	19 x 2.15 in	2	1	0	0	0	0	*	*	*	
2008 and later XL (except XL1200X and 2011 and later XL883L)	19 x 2.5 in	2	0	1	0	0	1	*	*	*	

Table 5. FRONT 25 mm Bearing Wheel Installation Kit (41452-08C)

FRONT 25 mm Bearing Wheel Installation Kit (41452-08C)		ITEM (Quantity Used and Description)								
Fitment	Wheel Size	A	C	D	E	J	K	L	M	N
2008 and later XL (except XL1200X and 2011 and later XL883L)	21 x 2.15 in	2	0	1	0	0	1	*	*	*
Installation kits are designed to work with many different wheel styles and fitments. Contact a Harley-Davidson dealer to verify that the wheel and installation kits are both designed and approved for the motorcycle they are being installed on. NOTES: * See <i>NOTE</i> above valve installation step in INSTALLATION to determine which valve stem to use for your particular kit. Discard other valve stem(s). ** Bearing shim installed under the primary bearing.		A	Bearing, regular (2)		9276					
		C	Axle sleeve		41548-08					
		D	Axle sleeve		43906-08					
		E	Axle sleeve		11888					
		J	Bearing shim**		41448-08					
		K	Bearing shim**		43315-07					
		L	Valve stem, short		43157-83A					
		M	Valve stem, long		43206-01					
		N	Valve stem, pull thru		40999-87					

Table 6. FRONT 25 mm Bearing Wheel Installation Kit (41455-08C)

FRONT 25 mm Bearing Wheel Installation Kit (41455-08C)		ITEM (Quantity Used and Description)								
Fitment	Wheel Size	A	C	D	J	K	L	M	N	
2008 Touring; 2009 and later FLHRC (non-ABS) and Trike (non-ABS)	16 x 3.0 in	2	0	1	0	1	*	*	*	
2009 and later Touring (non-ABS)	17 x 3.0 in	2	0	1	0	0	*	*	*	
2008 and later Touring (non-ABS)	18 x 3.5 in	2	0	1	0	**	*	*	*	
2008 and later Dyna (except FLD, FXDWG and FXDF)	19 x 2.5 in	2	1	0	**	0	*	*	0	
2008 and later VRSCAW, VRSCD, VRSCF and VRSCDX (non-ABS)	19 x 3.0 in	2	1	0	**	0	*	*	0	
2009 and later Touring (non-ABS)	19 x 3.5 in	2	0	1	0	0	*	*	*	
Installation kits are designed to work with many different wheel styles and fitments. Contact a Harley-Davidson dealer to verify that the wheel and installation kits are both designed and approved for the motorcycle they are being installed on. NOTES: * See <i>NOTE</i> above valve installation step in INSTALLATION to determine which valve stem to use for your particular kit. Discard other valve stem(s). ** See <i>NOTES</i> for your wheel kit above the wheel assembly step in INSTALLATION to determine if bearing shim is used for your particular wheel kit and fitment. *** Bearing shim installed under the primary bearing.		A	Bearing, regular (2)		9276					
		C	Axle sleeve		41748-08					
		D	Axle sleeve		41900-08					
		J	Bearing shim***		41450-08					
		K	Bearing shim***		43903-08					
		L	Valve stem, short		43157-83A					
		M	Valve stem, long		43206-01					
		N	Valve stem, pull thru		40999-87					



Table 7. FRONT 25 mm Bearing Wheel Installation Kit (43851-11A)

FRONT 25 mm Bearing Wheel Installation Kit (43851-11A)		ITEM (Quantity Used and Description)								
Fitment	Wheel Size	A	C	G	H	J	L	M	N	
2007 and later FLSTC and FLSTN (non-ABS)	16 x 3.0 in	2	1	0	1	1	*	*	*	
2008 and later FXDF	16 x 3.0 in	2	1	0	0	0	*	*	*	
2007 and later FLSTF and FLSTFB (non-ABS)	17 x 3.5 in	2	1	0	0	0	*	*	*	
2008 and later FLSTF and FLSTFB (non-ABS)	18 x 3.5 in	2	1	0	0	0	*	*	*	
2008 and later FXDF; 2012 and later FLD	18 x 3.5 in	2	1	0	0	0	*	*	*	
2007 and later FXS, FXST/B/C (non-ABS); 2008 and later FXDWG***	21 x 2.15 in	2	1	0	0	1	*	*	*	
2007 FXSTD***	21 x 2.15 in	2	1	1	0	1	*	*	*	
Installation kits are designed to work with many different wheel styles and fitments. Contact a Harley-Davidson dealer to verify that the wheel and installation kits are both designed and approved for the motorcycle they are being installed on. NOTES: * See NOTE above valve installation step in INSTALLATION to determine which valve stem to use for your particular kit. Discard other valve stem(s). ** Bearing shim installed under the primary bearing. *** The left side of the wheel is the primary bearing side for this fitment.		A	Bearing, regular (2)				9276			
		C	Axle sleeve				41349-07			
		G	Spacer, axle				41504-07			
		H	Spacer, axle				41695-07			
		J	Bearing shim**				43315-07			
		L	Valve stem, short				43157-83A			
		M	Valve stem, long				43206-01			
		N	Valve stem, pull-thru				40999-87			

Table 8. FRONT 25 mm Bearing ABS Wheel Installation Kit (41454-08B)

FRONT 25 mm Bearing ABS Wheel Installation Kit (41454-08B)		ITEM (Quantity Used and Description)								
Fitment	Wheel Size	A	B	C	D	J	K	L	M	N
2008 Touring and 2009 and later FLHRC with ABS	16 x 3.0 in	1	1	0	1	0	1	*	*	0
2009 and later Touring with ABS	17 x 3.0 in	1	1	0	1	0	0	*	*	*
2008 and later Touring with ABS	18 x 3.5 in	1	1	0	1	**	**	*	*	*
2012 and later Dyna with ABS (Except FLD, FXDWG and FXDF)	19 x 2.5 in	1	1	1	0	**	**	*	*	0
2008 and later VRSCAW, VRSCD, VRSCF and VRSCDX with ABS	19 x 3.0 in	1	1	1	0	**	**	*	*	0
2009 and later Touring with ABS	19 x 3.5 in	1	1	0	1	0	0	*	*	*
Installation kits are designed to work with many different wheel styles and fitments. Contact a Harley-Davidson dealer to verify that the wheel and installation kits are both designed and approved for the motorcycle they are being installed on. NOTES: * See NOTE above valve installation step in INSTALLATION to determine which valve stem to use for your particular kit. Discard other valve stem(s). ** See NOTES for your wheel kit above the wheel assembly step in INSTALLATION to determine which bearing shim to use for your particular wheel kit and fitment. *** Red side of bearing must be installed toward the wheel. The ABS bearing is primary. **** Bearing shim installed under the primary bearing.		A	Bearing, regular				9276			
		B	Bearing, ABS***				9252			
		C	Axle sleeve				41748-08			
		D	Axle sleeve				41900-08			
		J	Bearing shim****				41450-08			
		K	Bearing shim****				43903-08			
		L	Valve stem, short				43157-83A			
		M	Valve stem, long				43206-01			
N	Valve stem, pull thru				40999-87					

Table 9. FRONT 25 mm Bearing ABS Wheel Installation Kit (43093-11A)

FRONT 25 mm Bearing ABS Wheel Installation Kit (43093-11A)		ITEM (Quantity Used and Description)										
Fitment	Wheel Size	A	B	C	D	G	J	K	L	M	N	
2011 and later FLSTC and FLSTN with ABS	16 x 3.0 in	1	1	1	0	1	0	1	*	*	*	
2012 and later FXDF with ABS	16 x 3.0 in	1	1	1	0	0	0	0	*	*	*	
2011 and later FLSTF and FLSTFB with ABS	17 x 3.5 in	1	1	1	0	0	0	0	*	*	*	
2011 and later FLSTF and FLSTFB with ABS	18 x 3.5 in	1	1	1	0	0	0	0	*	*	*	
2012 and later FLD with ABS	18 x 3.5 in	1	1	1	0	0	0	0	*	*	*	
2011 and later FXCWC with ABS	19 x 2.15 in	1	1	0	1	0	0	0	*	*	*	
2011 and later FXCWC with ABS	19 x 2.5 in	1	1	0	1	0	1	0	*	*	*	
2011 and later FXS, FXST with ABS	21 x 2.15 in	1	1	1	0	0	0	1	*	*	*	
Installation kits are designed to work with many different wheel styles and fitments. Contact a Harley-Davidson dealer to verify that the wheel and installation kits are both designed and approved for the motorcycle they are being installed on. NOTES: * See NOTE above valve installation step in INSTALLATION to determine which valve stem to use for your particular kit. Discard other valve stem(s). ** Red side of bearing must be installed toward the wheel. The ABS bearing is the primary bearing. *** Bearing shim installed under the primary bearing.	A	Bearing, regular							9276			
	B	Bearing, ABS**							9252			
	C	Axle sleeve							41349-07			
	D	Axle sleeve							41548-08			
	G	Spacer							41695-07			
	J	Bearing shim***							41448-08			
	K	Bearing shim***							43315-07			
	L	Valve stem, short							43157-83A			
	M	Valve stem, long							43206-01			
	N	Valve stem, pull-thru							40999-87			

